

- 2 materials to choose from
- Materials:
 - SEH** body: zinc plated steel
 - SEH/SS** body: stainless steel 18.9 (303)
 - Handle: Oil-resistant plastic
- Supplied with anchoring base

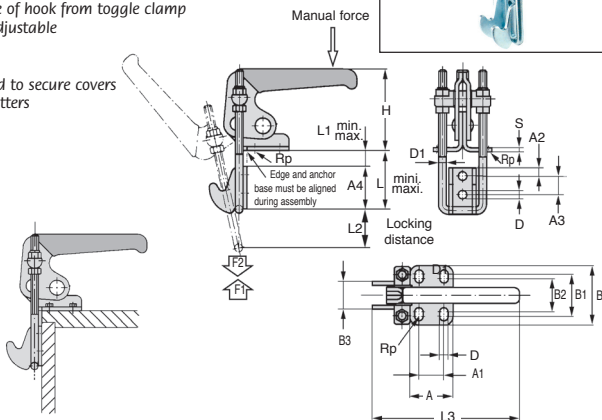
Advantages

- Distance of hook from toggle clamp easily adjustable

Uses

- Designed to secure covers and shutters

Steel or stainless steel



DISCOUNTS

Qty	1+	6+	15+	20+
Disc.	List	-5%	-10%	On request

Size	Traction force F1(N)	Pressure F2(N)	Manual force (N)	Opening angle of handle	Adjustable distance L1				Locking distance L2 L3	
					Min.	Max.	Min.	Max.	L2	L3
SEV-01	1800	2000	100	145°	25	49	1	25	22	76
SEV-02	2700	4000	150	145°	33	60	1	28	34	115
SEV-04	4500	7000	200	145°	41	80	1	40	45	152

Part number												Price each 1 to 5					
Steel	Stainless steel	A	A1	A2	A3	A4	B	B1	B2	B3	D	D1	H	S	Steel	StS	
SEV-0140	SEV-0140SS	26	13	4,5	11	24	36	24	19	16	5,2	4	42	2,5	46,34	€ 60,00	€
SEV-0250	SEV-0250SS	35	19	6,0	14	32	48	33	26	21	6,5	6	64	3,0	68,47	€ 84,38	€
SEV-0450	SEV-0450SS	51	32	8,0	19	40	64	45	36	28	8,5	8	85	4,0	114,76	€ 160,18	€

Dimensions in mm

Our other products



BC3

Panamech, Multi-Beam stainless steel, Stainless steel - with clampin...



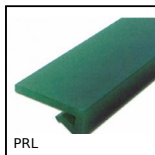
PRF_BP

Doorstop for aluminium profile, Swing door stop



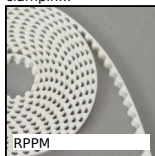
PRFSRAD

Dual lock for aluminium profile, Quick fitting, self locking door du...



PRL

Wear strip for slat top chain, L profile to be clipped



RPPM

RPP type belt per metre, RPP8 Steel cored polyurethane



PLM-SC

Magnetic stud with central countersunk hole, With milled bore



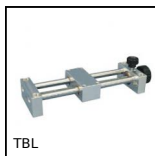
GARDLL

Mounting sleeve for lock pin, Nickel-plated steel or Stainless steel



SSB

Stainless steel bevel gear, 1:1



TBL

Mini leadscrew table with metric thread, 1kg



NSP

Right angled support clamp, Right angled support clamp



AT5-BAR

AT type tooth bar stock, AT5



BTE

Universal tension arm, For standard applications

Complementary products



SEV

Vertical stirrup toggle clamp, Vertical Latch Clamp - steel



SEH

Horizontal stirrup toggle clamp, Horizontal Latch clamp - stainless ...