

Quarter turn latch for the food industry



SER69K

Stainless steel

- Stainless steel 1/4 turn latch, seal rating IP69K
- Hygienic latch
- Materials:
 - 304 stainless steel
 - O-ring seal, blue silicon

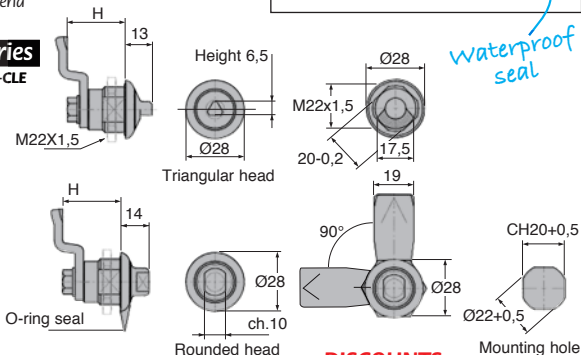


Advantages

- Ideal for use in the food industry
- No water retaining zones
- Avoids bacteria developing

Accessories

- See SER69K-CLE key



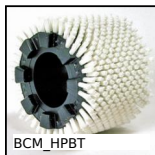
DISCOUNTS

Qty	1+	6+	10+	15+
Disc.	List	-5%	-10%	On request

Part number	H	Price each 1 to 5
Triangular head		
SER69K-18/T	18	56,12 €
SER69K-20/T	20	56,12 €
SER69K-22/T	22	56,12 €
SER69K-24/T	24	56,12 €
SER69K-26/T	26	56,12 €
SER69K-28/T	28	56,12 €
Rounded head		
SER69K-18/R	18	56,12 €
SER69K-20/R	20	56,12 €
SER69K-22/R	22	56,12 €
SER69K-24/R	24	56,12 €
SER69K-26/R	26	56,12 €
SER69K-28/R	28	56,12 €

All dimensions in mm

Our other products



BCM_HPBT

Modular cylindrical brush, PBT polyester bristles



ZBconique

Machined plastic bevel gear, 1:1



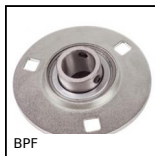
P55

Worm and wheel gear reducer, up to 57 Nm



BFDdII

Locking pin for bushes, Nickel-plated steel



BPF

Sheet steel flanged bearing for light loads, Sheet steel



PRF-SRA

Lock for aluminium profile, Lock



PSG1HC

Skive hobbed spur gears - precision range, Case hardened steel 20NCD2



SER69K-CLE

Quarter turn latch for the food industry, Stainless steel key



RMSA

Adjustable shock-absorber, Adjustable



VRC2

Retaining clamp, dual sided, Dual sided



R205

Die spring ISO10243, Heavy



LINK64

Synchronous AC Motor and-gearbox , from 1.3 to 6Nm

Complementary products



SER69K-CLE

Quarter turn latch for the food industry, Stainless steel key



SERB

Cam latch, Cam latch



LRRss

Latch, Spring loaded latch - stainless steel