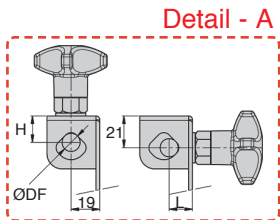


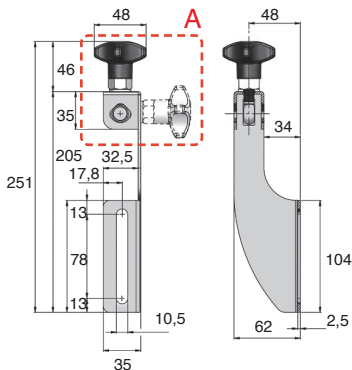
- Guide support for bottling and packaging applications
- Materials:
 - reinforced polyamide
 - stainless steel
 - nickel brass (threaded inserts)
- Not sold individually, please contact us for details

Accessories

- Guide GMC
- Clamps GMC-BR
- Adjusting rod Ø12, Ø14 and Ø16 APB-F



For hostile environments



DISCOUNTS

Qty	1+	20+	50+
Disc. List		-5%	On request

Part number	ØDF	H	L	Weight (kg)	Stock*	Price each 1 to 19
SDG10-UNI/SS	12	18	16	0,33	✓	23,43 €
	14	19	17			
	16	20	19			

*Depending on availability - Dimensions in mm

Our other products



T2

T type timing belt,
T2.5 Steel cored
polyurethane



BAP25

Plastic clamping
collar, Ø25 - Ø40



AC156-157

Strike for toggle latch,
25.5mm



LRM

Trapezoidal bronze
nut, Bronze - 1 thread



LVT

Miniature motorised
actuator 4A, 4 amperes



BHC

Socket head button
screw, Stainless steel
A2



LWL

Linear ball slide -
Stainless steel balls,
Rail - from 514 N to
1670...



SEV

Vertical stirrup toggle
clamp, Vertical Latch
Clamp - steel



PGT

Sliding profile, Sliding
panel support



J51

Spur gear coaxial
gearbox, from 0.13 to



SSB

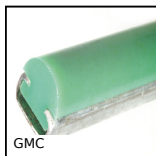
Stainless steel bevel
gear, 1:1



SSDB

Stainless steel bevel
gear, 2:1

Complementary products



GMC

Flat profile - Round
guide, Flat profile -
round guide



SDG

Adjustable guide
support bracket,
Plastic



APB_F

Adjusting rod for
clamp - Male,
Threaded



APB_T

Adjusting rod for
clamp - Female, Bored