

Guide support bracket



SDG

Plastic

- Guide support for bottling and packaging applications

- Materials:

Support: reinforced polyamide

Spacer: stainless steel

Threaded inserts: nickel brass

- Weight: 0.20 kg

Info.

- Not sold individually, please contact us for details

Accessories

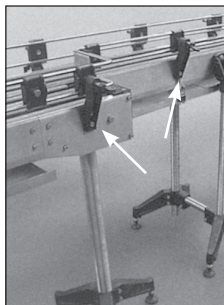
- Guides GMC, GMK (tome 5 p.107)

- Clamps GMC-BR, GMK-BR (tome 5 p.114)

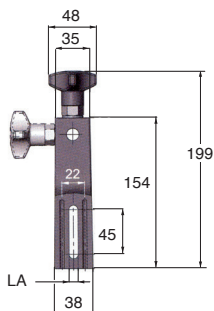
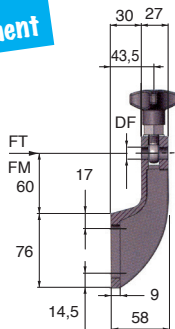
- Adjusting rod APB-T or APB-F (tome 5 p.118, p.119)



Quick adjustment



Typical application



DISCOUNTS

Qty	1+	20+	50+
Disc.	List	-5%	On request

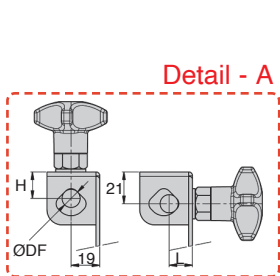
Part number	DF	LA	FT (N)	FM (N)	Stock*	Price each 1 to 19
SDG10-12	12,5	10,5	2000	4000	✓	17,32 €
SDG10-14	14,5	10,5	3000	4000	✓	19,55 €
SDG10-16	16,5	10,5	3000	4000	✓	20,53 €

*Depending on availability - Dimensions in mm

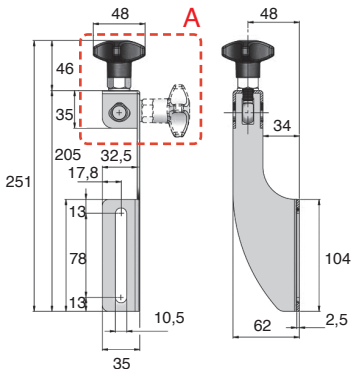
- Guide support for bottling and packaging applications
- Materials:
 - reinforced polyamide
 - stainless steel
 - nickel brass (threaded inserts)
- Not sold individually, please contact us for details

Accessories

- Guide GMC (tome 5 p.107)
- Clamps GMC-BR (tome 5 p.114)
- Adjusting rod Ø12, Ø14 and Ø16 APB-F (tome 5 p.118)



For hostile environments



DISCOUNTS

Qty	1+	20+	50+
Disc. List	-5%	On request	

Part number	ØDF	H	L	Weight (kg)	Stock*	Price each 1 to 19
SDG10-UNI/SS	12	18	16	0,33	✓	27,73 €
	14	19	17			
	16	20	19			

*Depending on availability - Dimensions in mm