

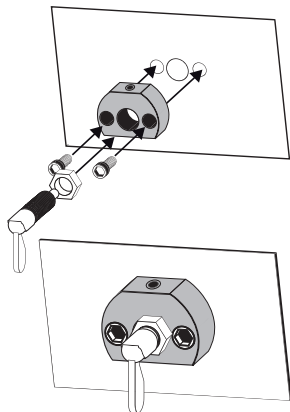
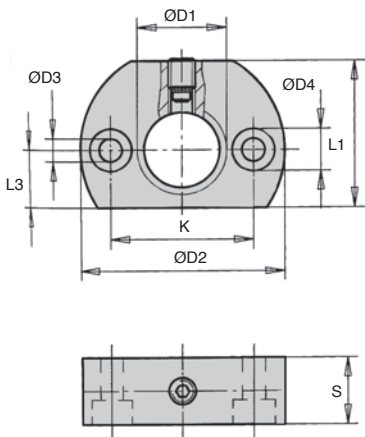
Locating bolt support bracket

Stock

SDA Mounting holes parallel to locating bolt

- Use of a support bracket allows locating bolts to be positioned quickly
- Compatible with all types of locating bolts
- Material: blackened steel

Positioned quickly



DISCOUNTS

Qty	1+	6+	20+
Disc.	List	-10%	On request

Part number	ØD1	ØD2	ØD3	ØD4	K	L1	L3	S	Stock*	Price each 1 to 5
SDA12	M12	36	5,5	10	24	25	10	12	✓	11,37 €
SDA12-F	M12 x 1,5	36	5,5	10	24	25	10	12	✓	11,37 €
SDA16	M16	46	5,5	10	32	33	13	15	✓	12,31 €
SDA16-F	M16 x 1,5	46	5,5	10	32	33	13	15	✓	12,31 €
SDA20	M20	46	5,5	10	32	33	13	15	✓	15,51 €
SDA20-F	M20 x 1,5	46	5,5	10	32	33	13	15	✓	12,31 €

*Depending on availability - Dimensions in mm

Our other products



HTD8M_30

HTD Heavy duty timing pulley, HTD8 Cast



PSPE22

Conical flexible shaft handlee Ø22, Black PVC



PSG25

Spur gear - precision range, Case hardened steel 20NCD2



PPF

Indexing plunger with flange, with drilled flange



UTKswc

Utilitrak® 3 wheels carriage, Series V precision steel wheel



CDR

Retaining cable for ball pin, Retaining cable



GP75

Spring loaded toggle latch, Standard (GP75)



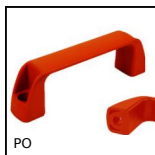
PLA

Flat magnet, Flat magnet with threaded hole



S_2RS

Deep groove ball bearing, Stainless steel



PO

Pull handle - Multi-sector, Smooth hole



RHTtcss

High Temperature Castor, up to 200kg



HRV

V- rail guidance Simple Select® system, Rail with carriage

Complementary products



DIV

Locking bolt, With grip - Steel



DIL

Lever operated locking bolt, lever clamp



SDC

Positioning sleeve for indexing pin, For pin Ø4 to Ø12



SDCcs

Positioning sleeve for indexing pin, For pin Ø4 to Ø12