

### - 2 materials to choose from

- Materials:

**SEH** body: zinc plated steel

**SEH/SS** body: stainless steel 18.9 (303)

Handle: Oil-resistant plastic

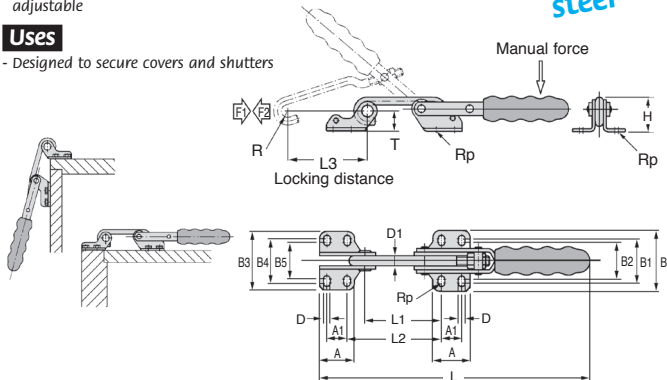
- Supplied with anchoring base

### Advantages

- Distance of hook from toggle clamp easily adjustable

### Uses

- Designed to secure covers and shutters



### DISCOUNTS

Qty	1+	6+	15+	20+
Disc.	List	-5%	-10%	On request

Size	Traction force F1 (N)	Pressure F2 (N)	Manual force (N)	Handle opening angle	L	L1	L2	Locking distance L3	A	A1
SCH-01	1500	2000	100	155°	161	45	58	70	26	13
SCH-02	3000	4000	160	155°	248	68	84	90	35	19
SCH-04	4000	7000	200	155°	310	84	104	115	51	32

Part number	Stock*		Price each 1 to 5														
	Steel	Stainless steel	B	B1	B2	B3	B4	B5	D	D1	H	R	T	Steel	StS	Steel	StS
SCH-0130	SCH-0130SS		39	27,0	22,2	43	31	26	5,2	6	26	6	13,5	✓	✓	49,79	€ 58,05
SCH-0270	SCH-0270SS		52	36,0	29,0	57	41	34	6,5	8	35	7	20,0	✓	✓	73,57	€ 87,73
SCH-0430	SCH-0430SS		72	52,5	43,5	78	59	50	8,5	12	49	10	27,0	-	-	93,21	€ 183,19

\*Subject to availability - Dimensions in mm

## Our other products



DILC  
Indexing plunger with  
cam, with cam



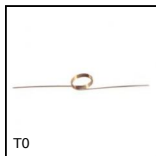
GP  
Spring loaded toggle  
latch, With padlock-  
holder



BLHM50  
Right angled gearbox,  
double output shafts,  
up to 30 Nm



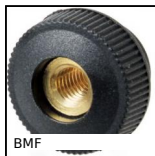
D-PAR\_SS  
Stainless steel elasto  
mount, stainless steel



T0  
Torsion spring,  
Stainless steel



SDC  
Positioning sleeve for  
indexing pin, For pin  
Ø4 to Ø12



BMF  
Knurled knob -  
female, Knurled -  
through threaded



SFWR  
End support, Surface  
mounting



HG8-ECO  
Eco range Spur gear,  
Steel C45



CHA60  
Rectangular hinge,  
drilled or countersunk,



PR105  
Articulated foot Ø103,  
Ø 103



DH  
Dowel pin, Solid DIN  
6325

## Complementary products



SCH  
Horizontal hook  
toggle clamp,  
Horizontal Hook  
clamp - steel