

# Stainless steel Worm and wheel motorgearbox

Create your set

For food industry

Supporting feet **RFV-FP**  
(tome 2 p.326)

Protective cover closed  
**RFV-CAP** (tome 2 p.327)

Motor 0,18kW à 1,5kW  
(tome 2 p.318)

Gear reducer **RFV40, RFV50, RFV63**,  
Reduction ratio of 7,5/1 to 100/1,  
3 flanges to choose depending  
on the motor selected

**RFV-CAP** protective cover  
(tome 2 p.327)  
open or closed to prevent  
material retention in the output  
bore

Reaction arm **RFV-BR**  
(tome 2 p.325) to better  
support the load

\* See data sheet (tome 2 p.328)

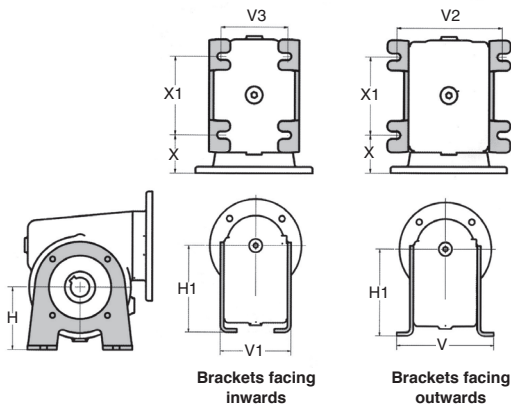
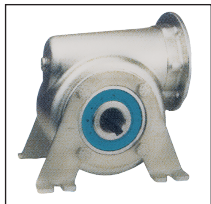
# Stainless steel worm and wheel gearboxes

## RFVFP

## Mounting bracket

- Supports RFV gearbox
- Inward or outward facing
- Sold in pairs
- Material:  
316 stainless steel

Suitable for  
the food industry



### DISCOUNTS

Qty	1+	2+	4+
Disc.	List -5%	On request	

Part number	H	H1	V	V1	X	X1	V2	V3	Price each
RFV40-FP/SS	50	90	111	83	35	70	95	60	81,39 €
RFV50-FP/SS	60	110	131	97	40	80	114	70	88,89 €
RFV63-FP/SS	72	135	156	116	45	100	137	85	108,18 €

Dimensions in mm