

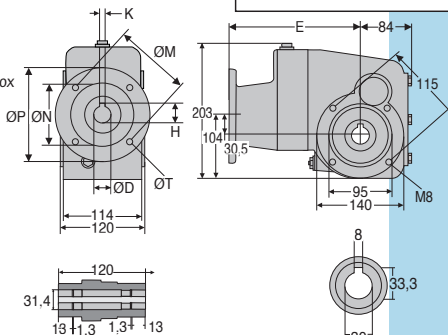
- **Ideal gearbox for use in the food industry**
- Ratios from 50:1 to 300:1
- 3-stage reduction
- B14 or B5 flange
- Rounded and polished surfaces to avoid material retention
- Lubricated using food quality grease
- 90% efficient
- Material:
316 stainless steel housing

Accessories

- Can be used with a DER 4-pole motor to create a motor-gearbox
- Torque arms, mounting bracket and protective cover

Info

- All information is engraved directly on to gearbox rather than being on a tag plate to avoid accumulating dirt etc.



Output shaft

Flange dimensions

	ØD	K	H	ØP	ØM	ØN	E	ØT
Flange 63B5	11	4	12,8	140	115	95	178,8	9
Flange 71B14	14	5	16,3	105	85	70	185,8	6,5
Flange 80B14	19	6	21,8	120	100	80	205,8	6,5

DISCOUNTS

Qty	1+	2+	4+
Rem.	Net	-5%	On request

Part N°			Nominal reduction ratio	Actual reduction ratio	Price each
Bride 63B5	Bride 71B14	Bride 80B14			
	RFK48C-50-71B14/SS	RFK48C-50-80B14/SS	50	49,18	1 618,24 €
	RFK48C-60-71B14/SS	RFK48C-60-80B14/SS	60	62,43	1 618,24 €
RFK48C-75-63B5/SS	RFK48C-75-71B14/SS	RFK48C-75-80B14/SS	75	75,45	1 618,24 €
RFK48C-100-63B5/SS	RFK48C-100-71B14/SS	RFK48C-100-80B14/SS	100	99,22	1 618,24 €
RFK48C-125-63B5/SS	RFK48C-125-71B14/SS	RFK48C-125-80B14/SS	125	125,95	1 618,24 €
RFK48C-150-63B5/SS	RFK48C-150-71B14/SS	RFK48C-150-80B14/SS	150	151,2	1 618,24 €
RFK48C-200-63B5/SS	RFK48C-200-71B14/SS		200	200,66	1 618,24 €
RFK48C-250-63B5/SS	RFK48C-250-71B14/SS		250	240,89	1 618,24 €
RFK48C-300-63B5/SS	RFK48C-300-71B14/SS		300	297,21	1 618,24 €

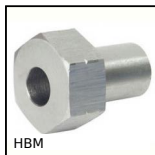
Our other products



G3-ECO
Eco range Spur gear,
Steel C45



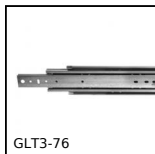
BEAB
Knob star grip
antibacterial, Star,
anti-bacterial



HBM
Adjustment bushing
for half-rail guide,
Adjustment bushing



SRG
Adjustable latch
clamp with strike
plate, Stroke from
77,3mm to 83mm



GLT3-76
Telescopic drawer,



KKB-AR
Linear bearing with
inclined ball tracks,
Standard loads / -20°
+20...



SLS
Bearing block for
leadscrew, Floating
Drylin® bearing block



UTKswrr
V shaped channel
UtiliTrak®, V rail



PDM_PDV
Detectable plastic
palm grip, by metal



EKGS
Backlash free
coupling Gerwah®,



Q7
Angular contact ball
bearing, Steel



M
Bellows cover,
Accessory:

Complementary products



DER63
Stainless steel AC
asynchronous motor
0.18 kW, 0.18kW



DER71
Stainless steel AC
asynchronous motor
0.25 à 0.37kW, 0.25
to 0.37kW



DER80
Stainless steel AC
asynchronous motor
0.55 - 0.75kW, 0.55
to 0.75kW



RFKfp
Stainless steel
gearbox - accessories,
Mounting bracket