

Single row cylindrical roller bearing

QNU

Free inner ring

- The external ring has two fixed flanges whereas the internal ring has no flange.
- The bearing can accommodate axial movement of the shaft relative to the housing in both directions.
- Static and dynamic loads are radial loads
- Max working temperature:
Polyamide cage: 120 °C
Steel or brass cage: 150 °C
- Materials:
Steel flanges and cylinders
P: polyamide cage
M: solid brass cage
J: pressed steel cage



Info

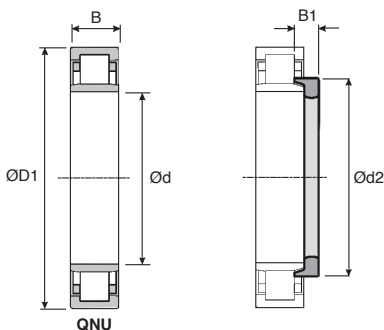
- Angle ring (thrust collar) not supplied

DISCOUNTS

Qty	1+	4+	8+
Disc.	List	-15%	On request

Part number	Ød	ØD1	B	ØD2	B1	Load (kN)		Speed (rpm)		Weight (kg)	Price each 1 to 3
						Dynamic (C)	Static (Co)	Lubricant Grease	Oil		
QNU202-M	15	35	11	-	-	12	10	19890	23400	0,047	8,56 €
QNU203-M	17	40	12	-	-	17	14	16830	19800	0,068	8,62 €
QNU204-P	20	47	14	-	-	25	22	14535	17100	0,110	9,45 €
QNU2204-M	20	47	18	-	-	29	27	14535	17100	0,140	13,89 €
QNU304-M	20	52	15	31,2	6,50	35	25	13770	16200	0,170	13,43 €
QNU2304-M	20	52	21	-	-	47	37	13770	16200	0,210	13,86 €
QNU205-J	25	52	15	34,7	6,0	28	26	12240	14400	0,140	10,34 €
QNU2205-M	25	52	18	34,7	6,5	33	33	12240	14400	0,170	14,50 €
QNU305-M	25	62	17	38,1	7,0	46	36	11475	13500	0,280	15,72 €
QNU2305-J	25	62	24	38,1	8,0	63	54	11475	13500	0,380	19,15 €
QNU1006-M	30	55	13	-	-	18	17	11475	13500	0,120	29,13 €
QNU2206-P	30	62	20	-	-	54	48	10710	12600	0,260	16,67 €
QNU306-J	30	72	19	45,0	8,5	57	47	9180	10800	0,400	18,29 €
QNU2306-J	30	72	27	-	-	81	74	9180	10800	0,530	21,05 €
QNU207-P	35	72	17	48,1	7,0	55	47	9180	10800	0,300	15,02 €
QNU2207-J	35	72	23	-	-	68	62	9180	10800	0,400	20,74 €
QNU307-J	35	80	21	51,0	9,5	74	62	8415	9900	0,540	18,54 €
QNU2307-J	35	80	31	-	-	104	96	8415	9900	0,720	35,98 €
QNU1008-M	40	68	15	-	-	25	25	13770	16200	0,220	38,00 €
QNU208-J	40	80	18	54,0	8,5	61	52	8415	9900	0,420	18,17 €
QNU2208-J	40	80	23	54,0	9,0	80	74	8415	9900	0,540	19,64 €
QNU308-J	40	90	23	57,5	11,0	91	76	7268	8550	0,730	21,72 €
QNU2308-J	40	90	33	-	-	126	118	7268	8550	0,940	32,09 €

Dimensions in mm



DISCOUNTS

Qty	1+	4+	8+
Disc.	List	-15%	On request

Part number	Ød	ØD1	B	ØD2	B1	Load (kN)		Speed (rpm)		Weight (kg)	Price each 1 to 3
						Dynamic (C)	Static (Co)	Grease	Oil		
QNU209-J	45	85	19	59,0	8,5	68	63	7268	8550	0,480	18,36 €
QNU2209-J	45	85	23	-	-	83	80	7268	8550	0,520	26,59 €
QNU309-J	45	100	25	64,4	11,5	110	98	6503	7650	1,000	26,74 €
QNU2309-J	45	100	36	-	-	157	150	6503	7650	1,300	35,31 €
QNU1010-M	50	80	16	-	-	46	55	7268	8550	0,350	55,01 €
QNU210-J	50	90	20	64,0	9,0	72	68	6885	8100	0,490	18,66 €
QNU2210-J	50	90	23	-	-	88	86	6885	8100	0,560	32,22 €
QNU310-J	50	110	27	71,2	13,0	124	110	6120	7200	1,150	28,42 €
QNU2310-J	50	110	40	-	-	182	182	6120	7200	1,700	51,25 €
QNU211-J	55	100	21	70,8	9,5	95	93	6120	7200	0,670	24,20 €
QNU311-J	55	120	29	77,5	9,0	153	140	5355	6300	1,450	38,34 €
QNU2311-J	55	120	43	77,5	9,0	227	227	5355	6300	2,250	61,50 €
QNU212-J	60	110	22	77,5	10,0	106	100	5738	6750	0,810	25,39 €
QNU2212-J	60	110	28	77,5	10,0	143	150	5738	6750	1,100	38,37 €
QNU2312-J	60	130	46	84,3	16,0	255	260	5126	6030	2,750	65,30 €
QNU213-J	65	120	23	84,4	10,0	120	116	5126	6030	1,050	33,29 €
QNU2213-J	65	120	31	84,4	10,5	167	176	5126	6030	1,400	43,45 €
QNU313-J	65	140	33	90,5	15,5	208	192	4590	5400	2,250	49,51 €
QNU1014-M	70	110	20	84,0	10,0	75	91	5355	6300	0,620	62,30 €
QNU214-J	70	125	24	89,4	11,0	134	134	4820	5670	1,150	35,46 €
QNU2214-J	70	125	31	89,4	11,5	176	189	4820	5670	1,500	62,54 €
QNU314-J	70	150	35	97,3	15,5	231	223	4284	5040	2,750	65,63 €
QNU215-J	75	130	25	94,3	11,0	147	153	4590	5400	1,250	36,53 €
QNU2215-J	75	130	31	-	-	182	204	4590	5400	1,600	69,03 €
QNU315-J	75	160	37	104,0	16,5	274	260	4055	4770	3,300	77,66 €
QNU216-J	80	140	26	101,0	12,5	157	163	4284	5040	1,500	44,85 €
QNU2216-J	80	140	33	101,0	12,5	208	240	4284	5040	2,000	85,15 €
QNU316-J	80	170	39	110,0	17,0	294	284	3825	4500	3,950	111,44 €

Dimensions in mm

Our other products



PTKss
Foot for the food industry, Stainless steel - 3-A standard



BSM
Spring plunger with internal hexagonal socket, steel body and pin



PRF_PA
Angle plate for aluminium profile, Adjustable plate



SRG
Adjustable latch clamp with strike plate, Stroke from 77,3mm to 83mm



Q7
Angular contact ball bearing, Steel



EKGS
Backlash free coupling Gerwah®, from 0.5 to 35Nm



HCV
V- rail guidance Simple Select® system, on rail



PSG15
Spur gear - precision range, Pre-hardened Steel 35NCD6



HTD14M_55
HTD Heavy duty timing pulley, HTD14 Steel



SH1
Parallel axis helical gear, Steel 20NCD2



SA_SAKH
Housing for linear bearing, Closed - light load



PSG25
Spur gear - precision range, Pre-hardened Steel 35NCD6

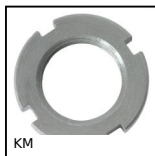
Complementary products



Q1
Self-aligning radial ball bearing, Steel



NKX
Combined bearing without inner ring, Needle and ball bearings



KM
Bearing locknut, Locknut KM



EAR
Bearing locknut, Self locking locknut - nylon lock washer