

Double row **angular** contact ball bearing

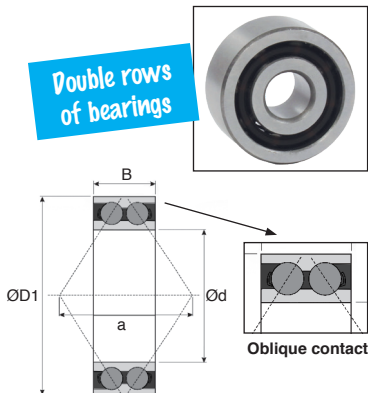
Q3

Steel

- Double row angular contact bearings are capable of handling axial and radial loads
- Static and dynamic loads are radial loads
- Materials:
 - Steel rings and balls
 - Polyamide cage

Advantage

- The special feature of this type of bearing is that it gives the equivalent performance of two single row bearings but with a reduced axial dimension.



DISCOUNTS

Qty	1+	4+	8+
Disc.	List	-15%	On request

Part number	Ød	ØD1	B	a	Load (kN)		Speed (rpm)		Weight (kg)	Price each 1 to 3
					Dynamic (C)	Static (Co)	Grease	Oil		
Q3200-ATN9	10	30	14,0	16	7,50	4,21	18360	21600	0,051	5,75 €
Q3201-ATN9	12	32	15,9	19	9,90	5,49	16830	19800	0,0580	6,60 €
Q3202-ATN9	15	35	15,9	21	11,00	6,66	13770	16200	0,0660	7,19 €
Q3203-ATN9	17	40	17,5	23	14,00	8,62	12240	14400	0,0950	7,34 €
Q3204-ATN9	20	47	20,6	28	19,60	11,76	10710	12600	0,1600	8,99 €
Q3304-ATN9	20	52	22,2	30	23,10	14,31	9945	11700	0,2200	12,39 €
Q3205-ATN9	25	52	20,6	30	21,20	14,01	9180	10800	0,1900	9,45 €
Q3305-ATN9	25	62	25,4	36	31,40	19,99	8415	9900	0,3500	16,49 €
Q3206-ATN9	30	62	23,8	36	29,40	19,99	7650	9000	0,2900	12,54 €
Q3306-ATN9	30	72	30,2	42	40,70	26,95	6885	8100	0,5300	17,62 €
Q3207-ATN9	35	72	27,0	42	39,20	27,44	6885	8100	0,4400	14,04 €
Q3307-ATN9	35	80	34,9	47	51,00	34,79	6505	7650	0,7100	22,61 €
Q3208-ATN9	40	80	30,2	46	46,60	33,32	6120	7200	0,5800	17,90 €
Q3308-ATN9	40	90	36,5	53	62,70	43,12	5740	6750	1,0500	38,06 €
Q3209-ATN9	45	85	30,2	49	50,00	38,22	5740	6750	0,6400	19,98 €
Q3309-ATN9	45	100	39,7	58	73,50	51,94	5130	6030	1,4000	41,70 €
Q3210-ATN9	50	90	30,2	52	50,00	38,22	5355	6300	0,6600	22,15 €
Q3211-ATN9	55	100	33,3	57	58,80	46,55	4820	5670	1,0500	29,40 €
Q3311-ATN9	55	120	49,2	72	109,80	79,87	4055	4770	2,5500	75,36 €
Q3212-ATN9	60	110	36,5	63	72,00	57,33	4284	5040	1,4000	34,30 €

Dimensions in mm

Our other products



Vertical toggle clamp,
Vertical Lever Clamp -
steel



Magnetic stud with
threaded hole, With
threaded hole



Captive C washer,
Slotted flat headed
shoulder screw



Sliding lock
adjustment system,
Blocking wedge for
sliding lock for ...



Stainless steel AC
asynchronous motor
0.55 - 0.75kW, 0.55 to
0.75kW



Fixed levelling foot,
Flanged plate



Swivel castor with
double brake,
Stainless steel -
Polyamide



Miniature motorised
actuator 4A, 4 amperes



Adjustable foot for
aluminium profile,



Cap for round tube to
be welded, To be



Strike for toggle latch,
25.5mm



Drylin® W bearing
block, Slide

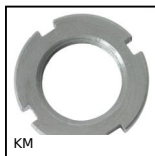
Complementary products



Self-aligning radial
ball bearing, Steel



Tapered roller
bearing, Steel



Bearing locknut,
Locknut KM



Bearing locknut, Self
locking locknut - nylon
lock washer