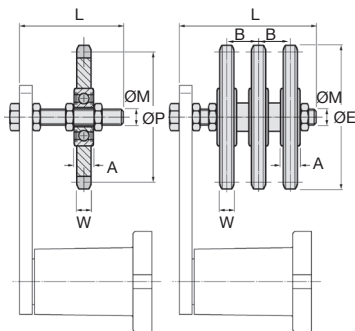


- **Idler chain sprocket for use with BTE/SS universal tension arm**
- Fitted with sealed stainless steel bearings
- Max working temperature: 100°C
- Max speed : 70 rpm
- Material :Axle and gear :
Stainless steel 304L
Nuts : Stainless steel A2

Accessory

- **BTE/SS tension arm**



DISCOUNTS

Qty	1+	3+	5+
Disc.	List	-10%	On request

Part number	Pitch	N° of teeth Z	W	ØM	A	B	L	ØP	ØE	Size of arm	Price each 1 to 2
Simple											
PTR-06B1/SS	9,525	15	5,3	M10	9	-	55	45,81	49,3	BTE3/BTE4	41,51 €
PTR-08B1/SS	12,700	15	7,2	M10	9	-	55	61,09	65,5	BTE4	51,10 €
PTR-10B1/SS	15,800	15	9,1	M12	12	-	80	76,36	83,0	BTE5	65,63 €
PTR-12B1/SS	19,050	15	11,1	M12	12	-	80	91,63	99,8	BTE5	97,61 €
Double											
PTR-06B2/SS	9,525	15	5,3	M10	9	10,24	55	45,81	49,3	BTE4	76,40 €
PTR-08B2/SS	12,700	15	7,2	M10	9	13,92	60	61,09	65,5	BTE4	95,57 €
PTR-10B2/SS	15,800	15	9,1	M12	12	16,59	80	76,36	83,0	BTE5	123,48 €
PTR-12B2/SS	19,050	15	11,1	M12	12	19,46	80	91,63	99,8	BTE5	187,99 €
Triple											
PTR-06B3/SS	9,525	15	5,3	M10	9	10,24	60	45,81	49,3	BTE4	92,79 €
PTR-08B3/SS	12,700	15	7,2	M12	9	13,92	80	61,09	65,5	BTE5	133,21 €
PTR-10B3/SS	15,800	15	9,1	M12	12	16,59	80	76,36	83,0	BTE5	169,09 €
PTR-12B3/SS	19,050	15	11,1	M20	15	19,46	120	91,63	99,8	BTE6	222,30 €

Dimensions in mm

Our other products



DOG258

Motor-gearbox 12V and 24V DC, from 12 to 15 Nm



PARF110

Pressed steel base rigid foot, Swivelling Ø110



VPRA_M

Handwheel with handle, Thermosetting plastic - galvanised steel hub



OP3_14_06

Reducing sleeve for OP indicators, Reduction socket



PSG125HC

Skive hobbled spur gears - precision range, Case hardened steel 20NCD2



SNG

Stainless/Polymer pillow block bearing, Cast iron - Split pillow



HAS

Captive C washer, Slotted flat headed shoulder screw



RFVcap

Stainless steel protective cover, Closed protective cover



RPCplss

Fixed castor with plate, Stainless steel - Polyamide



M1

Worm and wheel set, Non hardened steel



CHNrb

Warning chain with red and white links, Steel



WING

Manually tightened wing nut, Stainless steel DIN 314/315

Complementary products



TFR

Rigid manual tensioner, Fixed



BTESS

Universal stainless steel arm for tensioner, For use in hostile envi...