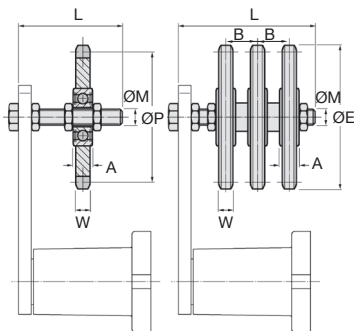


- **Idler chain sprocket for use with BTE/SS universal tension arm**
- Fitted with sealed stainless steel bearings
- Max working temperature: 100°C
- Max speed : 70 rpm
- Material :Axle and gear :  
Stainless steel 304L  
Nuts : Stainless steel A2

### Accessory

- **BTE/SS tension arm**



### DISCOUNTS

Qty	1+	3+	5+
Disc.	List	-10%	On request

Part number	Pitch	N° of teeth Z	W	ØM	A	B	L	ØP	ØE	Size of arm	Price each 1 to 2
<b>Simple</b>											
PTR-06B1/SS	9,525	15	5,3	M10	9	-	55	45,81	49,3	BTE3/BTE4	41,51 €
PTR-08B1/SS	12,700	15	7,2	M10	9	-	55	61,09	65,5	BTE4	51,10 €
PTR-10B1/SS	15,800	15	9,1	M12	12	-	80	76,36	83,0	BTE5	65,63 €
PTR-12B1/SS	19,050	15	11,1	M12	12	-	80	91,63	99,8	BTE5	97,61 €
<b>Double</b>											
PTR-06B2/SS	9,525	15	5,3	M10	9	10,24	55	45,81	49,3	BTE4	76,40 €
PTR-08B2/SS	12,700	15	7,2	M10	9	13,92	60	61,09	65,5	BTE4	95,57 €
PTR-10B2/SS	15,800	15	9,1	M12	12	16,59	80	76,36	83,0	BTE5	123,48 €
PTR-12B2/SS	19,050	15	11,1	M12	12	19,46	80	91,63	99,8	BTE5	187,99 €
<b>Triple</b>											
PTR-06B3/SS	9,525	15	5,3	M10	9	10,24	60	45,81	49,3	BTE4	92,79 €
PTR-08B3/SS	12,700	15	7,2	M12	9	13,92	80	61,09	65,5	BTE5	133,21 €
PTR-10B3/SS	15,800	15	9,1	M12	12	16,59	80	76,36	83,0	BTE5	169,09 €
PTR-12B3/SS	19,050	15	11,1	M20	15	19,46	120	91,63	99,8	BTE6	222,30 €

Dimensions in mm

## Our other products



MEB  
Moulded plastic bevel gear (nylon), 1:1



DOMI30  
Accessories, Fixing kit



SH0  
Parallel axis helical gear, Steel 20NCD2



BLHB30  
Right angled gearbox, bored shafts, up to 4.47 Nm



PRF4545  
Standard aluminium profile, 45 x 45 mm



E60  
Right angle helical reducers, from 4.50 to 62 Nm



HFL  
One way needle bearing, Needle bearing



PM4  
Worm and wheel set, Machined plastic (delrin)



M1  
Worm and wheel set, Hardened steel



NANO  
Speed controller 3A, 3 A



CHMR40  
Worm and wheel gear reducer, up to 57 Nm



BLHT20  
Right angled gearbox, from 0.66 to 1.77 Nm

## Complementary products



TFR  
Rigid manual tensioner, Fixed



BTESS  
Universal stainless steel arm for tensioner, For use in hostile envi...