

Articulated fixable foot, pressed bolt-down base Ø80 **SteSta**

PTAF80 PAMF80

Accepts loads up to 10.000N

- **Tilting foot**
- Tilt up to +/- 5° from vertical
- With non-slip sole
- Materials:

Steel version:

Base : Galvanised sheet steel C40

Spindle: Galvanised steel (nut not supplied)

Sole: Vulcanised NBR rubber, hardness 80° Shore

Stainless steel version:

Base: Stainless steel sheet 304

Spindle: Stainless steel 304 (nut not supplied)

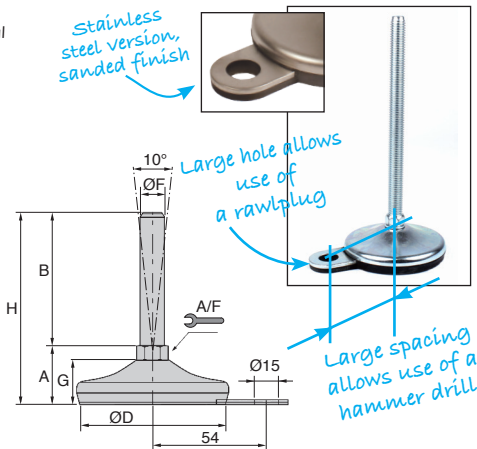
Sole: Vulcanised NBR rubber, 80° Shore

Advantages

- Easy to secure due to large distance between shaft and mounting hole

Option

- Other shaft dimensions are available on request



DISCOUNTS

Qty	1+	6+	10+	15+	20+
Disc.	List	-5%	-10%	-15%	On request

Références		Thread							Static	Price each	
Bright	Sanded finish	ØD	ØF	B	A	A/F	G	H	load(N)	Bright	1 to 5
Steel foot											
PTAF80-12-100	-	80	M12	100	35	14	25	135	10000	✓	26,59 €
PTAF80-12-150	-	80	M12	150	35	14	25	185	10000	✓	28,83 €
PTAF80-16-100	-	80	M16	100	35	16	25	135	10000	✓	28,51 €
PTAF80-16-150	-	80	M16	150	35	16	25	185	10000	✓	31,31 €
PTAF80-20-100	-	80	M20	100	36	20	25	136	10000	✓	30,01 €
PTAF80-20-150	-	80	M20	150	36	20	25	186	10000	-	32,85 €
PTAF80-20-200	-	80	M20	200	36	20	25	236	10000	-	35,75 €
Stainless steel foot											
PAMF80-12-100	PAMF80-12-100/SB	80	M12	100	35	14	25	135	10000	✓	41,53 €
PAMF80-12-150	PAMF80-12-150/SB	80	M12	150	35	14	25	185	10000	-	44,02 €
PAMF80-16-75	PAMF80-16-75/SB	80	M16	75	35	13	25	110	10000	✓	42,13 €
PAMF80-16-125	PAMF80-16-125/SB	80	M16	125	35	13	25	160	10000	✓	45,31 €
PAMF80-16-175	PAMF80-16-175/SB	80	M16	175	35	13	25	210	10000	✓	48,45 €
PAMF80-20-100	PAMF80-20-100/SB	80	M20	100	38	17	25	138	10000	-	48,45 €
PAMF80-20-150	PAMF80-20-150/SB	80	M20	150	38	17	25	188	10000	✓	51,61 €
PAMF80-20-200	PAMF80-20-200/SB	80	M20	200	38	17	25	238	10000	✓	56,31 €

*Depending on availability - Dimensions in mm

Our other products



Adjustable guide support bracket, Plastic



Right angled gearbox, bored shafts, up to 4.4 Nm



Reducing sleeve female/female, Cylindrical - steel



Straight long link stainless steel chain, Stainless steel



Adjusting rod for clamp - Male, Threaded



Drylin® W rail, Rail



Joining plate for aluminium profile, Joint plate - 86x86 mm



T type timing belt per metre, T5 Steel cored polyurethane



Right angle helical reducers, from 2.30 to



H Type Guide units, For Ø12 and Ø16



Indexing plunger for sheets, For sheet



Screwed hinge, 135 degrees

Complementary products



Articulated fixable foot, pressed bolt-down base Ø 120, Ø 120



Fixable foot for the food industry, Stainless steel - 3-A standard