

Articulated levelling foot, pressed base Ø100 **Ste** **Sta**

PTA100 PTA100ss

Accepts loads up to 15.000N

- Articulated foot
- Up to +/- 10° from vertical
- Materials:

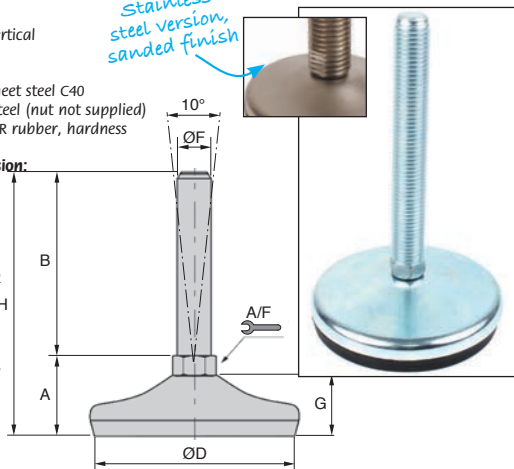
Steel version:

Base: Galvanised sheet steel C40
Shaft: Galvanised steel (nut not supplied)
Sole: Vulcanised NBR rubber, hardness 80° Shore

Stainless steel version:

Base: Stainless steel sheet 304
Shaft: Stainless steel plate 304 (nut not supplied)
Sole: Vulcanised NBR rubber, hardness 80° Shore

Stainless steel version, sanded finish



Advantages

- Excellent Quality/Price ratio

DISCOUNTS

Qty	1+	15+	20+	25+	40+
Disc.	List	-5%	-10%	-15%	On request

Part number	ØD	Thread ØF	B	A	A/F	G	H	Load static (N)	Stock*	Price each 1 to 14
Steel foot										
PTA100-16-100	100	M16	100	38,0	16	28	137,5	15000	✓	25,53 €
PTA100-16-150	100	M16	150	38,0	16	28	187,5	15000	✓	28,05 €
PTA100-16-200	100	M16	200	38,0	16	28	237,5	15000	✓	28,98 €
PTA100-20-100	100	M20	100	39,0	20	28	138,5	15000	✓	26,76 €
PTA100-20-150	100	M20	150	39,0	20	28	188,5	15000	✓	29,72 €
PTA100-20-200	100	M20	200	39,0	20	28	238,5	15000	-	32,67 €
PTA100-24-100	100	M24	100	39,0	24	28	138,5	15000	-	31,63 €
PTA100-24-150	100	M24	150	39,0	24	28	188,5	15000	-	34,69 €
Stainless steel foot										
PTA100-16-100/SS	100	M16	100	39,5	13	30	139,5	15000	✓	49,66 €
PTA100-16-150/SS	100	M16	150	39,5	13	30	189,5	15000	✓	51,42 €
PTA100-16-200/SS	100	M16	200	39,5	13	30	239,5	15000	-	55,56 €
PTA100-20-100/SS	100	M20	100	43,0	17	30	143,0	15000	-	53,21 €
PTA100-20-150/SS	100	M20	150	43,0	17	30	193,0	15000	✓	56,75 €
PTA100-20-200/SS	100	M20	200	43,0	17	30	243,0	15000	-	60,88 €
PTA100-24-100/SS	100	M24	100	44,0	20	30	144,0	15000	-	57,33 €
PTA100-24-150/SS	100	M24	150	44,0	20	30	194,0	15000	-	59,12 €

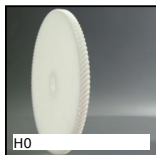
*Depending on availability - Dimensions in mm

Our other products



RFVbr

Stainless steel
reaction arm,
Reaction arm



H0

Crossed helical gear
crossed axis at 90°,
Machined plastic
(delrin)



LVT

Miniature motorised
actuator 2A, 2 ampers



Gdal

Double universal joint
eco series, Low duty



AT10courroie

AT type timing belt,
AT10 Steel cored
polyurethane



RCC_RCX

Spherical tilt washer -
DIN6319, convex



HRV

V- rail guidance
Simple Select®
system, Rail with
carriage



RFVcap

Stainless steel
protective cover,
Open protective cover



PV1R

Adjustable suction-
cup support, Standard
grip



PRF_PL_9090

Joining plate for
aluminium profile,
Joint plate - 90x90



ACL-FPA

Panel mounting block
for aluminium
structures, Support



PSG25

Spur gear - precision
range, Pre-hardened
Steel 35NCD6

Complementary products



PTA150

Articulated levelling
foot, pressed base
Ø150, Ø 150