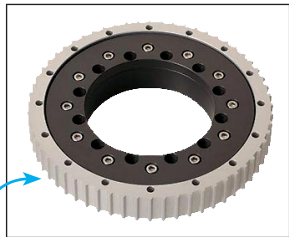


# iglidur® slewing ring bearing

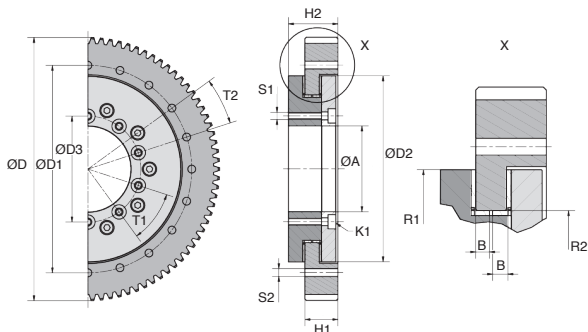
## PRT

## With external teeth

- **iglidur® PRT geared slewing ring bearing**
- The interior ring is fixed, the larger external ring supports the load.
- General characteristics:  
See **PRT** tables
- Material:  
Moving part iglidur® J  
Aluminium ring EN AW6061/6060,  
hard anodised  
Screws: Stainless steel
- 4 gear styles available: Spur gear DIN3967  
or belt pulleys; T10, AT10 or HTD8M



*Gear teeth  
or pulley*

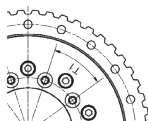


Part number	ØD1	ØD3	ØA	ØD2	H1	T1	T2	S1	S2	K1 for DIN screw 912				
										R1	R2	B	H2	
PRT-01-30-TO	91	42.5	30	82	21	8x45°	8x45°	M4	4.5	M4	41	29.0	4.5	30.4
PRT-01-60-TO	145	74.0	60	130	23	10x36°	20x18°	M5	5.5	M5	65	51.5	4.5	34.5
PRT-01-100-TO	170	112.0	100	160	25	12x30°	16x22.5°	M5	5.5	M5	80	69.0	5.5	36.0
PRT-01-150-TO	235	165.0	150	220	25	12x30°	16x22.5°	M5	5.5	M5	110	96.5	5.5	37.5
PRT-01-200-TO	285	215.0	200	274	30	12x30°	16x22.5°	M6	7.0	M6	137	124.0	7.0	41.5
PRT-01-300-TO	430	320.0	300	410	30	12x30°	16x22.5°	M8	9.0	M8	205	186.5	8.5	46.5

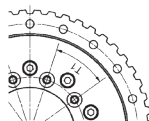
Dimensions in mm



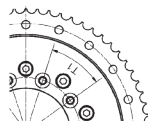
**Spur gear**  
DIN 3967



**AT10 pulley**



**T10 pulley**



**HTD8M pulley**

## DISCOUNTS

Qty	1+	2+
Disc.	List	On request

Part number	Pitch/module	N° of teeth Z	PCD ØP	External diameter ØD	Price each
<b>Tooth profile for Spur gear DIN 3967</b>					
PRT01-30-TO-ST	2	54	108	112	566,56 €
PRT01-60-TO-ST	2	90	180	184	682,21 €
PRT01-100-TO-ST	2	96	192	196	997,97 €
PRT01-150-TO-ST	2	126	252	256	1 387,02 €
PRT01-200-TO-ST	2	152	304	308	1 745,12 €
PRT01-300-TO-ST	3	152	456	462	3 589,26 €
<b>Tooth profile for AT10 pulley</b>					
PRT01-30-TO-AT10	AT10	34	108,23	108,23	566,58 €
PRT01-60-TO-AT10	AT10	52	165,52	165,52	682,21 €
PRT01-100-TO-AT10	AT10	60	187,30	187,30	997,97 €
PRT01-150-TO-AT10	AT10	80	250,90	250,90	1 387,02 €
PRT01-200-TO-AT10	AT10	96	301,90	301,90	1 745,12 €
PRT01-300-TO-AT10	AT10	144	352,85	352,85	3 589,26 €
<b>Tooth profile for T10 pulley</b>					
PRT01-30-TO-T10	T10	34	108,23	106,40	566,56 €
PRT01-60-TO-T10	T10	52	165,52	163,80	682,21 €
PRT01-100-TO-T10	T10	60	187,30	189,20	997,97 €
PRT01-150-TO-T10	T10	80	250,90	252,90	1 387,02 €
PRT01-200-TO-T10	T10	96	301,90	303,90	1 745,12 €
PRT01-300-TO-T10	T10	144	352,85	456,70	3 589,26 €
<b>Tooth profile for HTD8M pulley</b>					
PRT01-30-TO-HTD8M	HTD8M	44	112,05	110,70	566,56 €
PRT01-60-TO-HTD8M	HTD8M	66	168,07	166,70	682,21 €
PRT01-100-TO-HTD8M	HTD8M	74	188,45	187,10	997,97 €
PRT01-150-TO-HTD8M	HTD8M	100	254,65	253,30	1 387,02 €
PRT01-200-TO-HTD8M	HTD8M	120	305,60	304,30	1 745,12 €
PRT01-300-TO-HTD8M	HTD8M	180	458,36	457,10	3 589,26 €

Dimensions in mm

## Our other products



BH01  
Single housed bearing, Bearing fitted with adhesive



CHB  
Single output shaft, For CHB gearbox



SPIT  
Floor mounting levelling plate, With anchoring point



PW\_PWG15  
Worm - precision range, Stainless steel



VMS  
Stainless steel knurled thumb screw, Knurled



M1  
Worm and wheel set, Non hardened steel



UFX  
Uneflex® elastic coupling, range



PSPT  
Flexible tube handle, PVC



DHX  
Dowel pin internal thread, Extractable DIN 7979D



DFG  
Flat suction cup, silicon



RLR  
Roll-Ring® chain tensioner, Roll-Ring® Self-adjusting



TSRTC  
Stem support for caster, For swivel caster with central hole

## Complementary products



PRT-TO  
igidur® slewing ring, With external teeth- Iglidur®, aluminium & S...