

Wear strip for plate chain

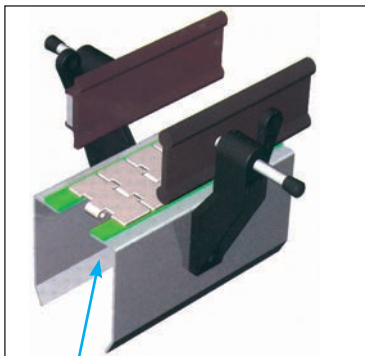
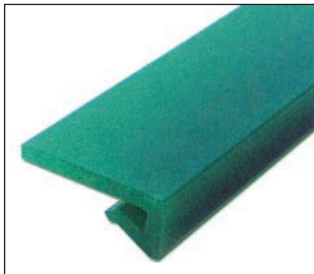


PRL "L" profile wear strip for plate chain

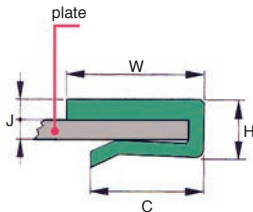
- Wear strip for mounting plate chains, "clip on" mounting
- Can be used with plate thicknesses 1.5 to 3mm
- Material:
Green DESLIDUR Polyethylene (UHMW 1000)

Info.

- Supplied in 50 metre rolls



Typical application



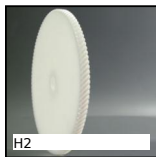
DISCOUNTS

Qty	1+	5+	10+
Disc.	List	-5%	On request

Part number	W	H	C	J	Weight (kg/m)	Price each 1 to 4
PRL-20C	20	10,5	14,5	3	0,11	227,10 €
PRL-25C	25	10,5	20,0	3	0,12	227,10 €
PRL-40C	40	10,3	20,0	3	0,16	271,65 €

Dimensions in mm

Our other products



H2

Crossed helical gear
crossed axis at 90°,
Machined plastic
(delrin)



PSG05

Spur gear - precision
range, Case hardened
steel 20NCD2



PRF19_E

Bracket for aluminium
profile, PRF19 to
PRF45



PRF_RR

Coupling bar for
aluminium profile,
Coupling bar



WSSss

Symmetrical S shaped
hook stainless steel,
Stainless steel



TIFss

Threaded stud -
DIN976A, Stainless
steel



CHAR6035

Spring hinge,
screwed/welded



GB-RA

Brass spur gear, Brass
CuZn39Pb3



BPHF

Ball transfer unit push
fit, Heavy



PGM86-M5

Pull handle,
Thermoplastic



BFM

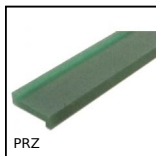
Flanged bronze nut,
Bronze - 1 thread



GE_C

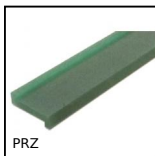
Spherical bushing,
Hard chromium / PTFE

Complementary products



PRZ

Wear strip for slat top
chain, Z profile to be
clipped



PRZ

Wear strip for slat top
chain, Z profile to be
filled



CAP820

Slim slat top chain
acetal, Narrow
straight range 820



CAP821

Slat top chain acetal,
Large range 821