

Support for Ø12mm Prox detector

Stock

PRF_{SDD} **MiniTec**

Suitable for use with aluminium profiles

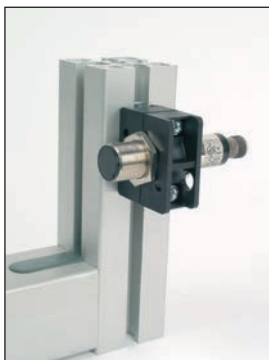
- Suitable for all Ø12mm proximity detectors
- Fixing kit supplied
- Material: black plastic

Use

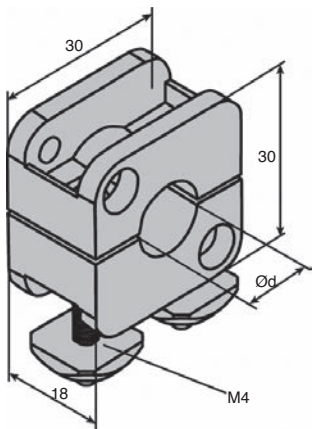
- Allows a Ø12mm proximity detector to be mounted on a profile or linear guide

Assembly

- Mounts in the slot of a profile using the fixing kit supplied.



Typical application



DISCOUNTS

Qty	1+	50+	100+
Disc.	List	-5%	On request

Part number	Ød	Weight (g)	Stock*	Price each 1 to 49
PRF-SDD-12	12	40	✓	4.91 €

*Depending on availability - Dimensions in mm

Stock Support for Ø18 or Ø20mm Prox detectors

Suitable for use with aluminium profiles

MiniTec PRFsDD

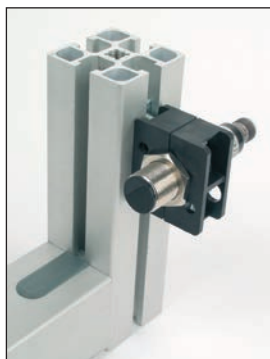
- Suitable for all Ø18 or Ø20mm proximity detectors
- Fixing kit supplied
- Material: black plastic

Use

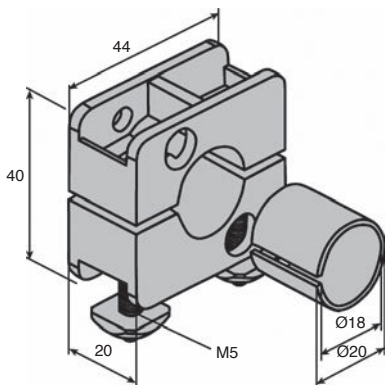
- Allows an Ø18 or Ø20mm proximity detector to be mounted on a profile or linear guide

Assembly

- Mounts in the slot of a profile using the fixing kit supplied



Typical application



DISCOUNTS

Qty	1+	50+	100+
Disc.	List	-5%	On request

Part number

Weight (g)

Stock*

Price each
1 to 49

PRF-SDD-18/20

50

✓

5,99 €

*Depending on availability - Dimensions in mm

Our other products



CHMR63

Worm and wheel gear reducer, up to 196 Nm



PTRSS

Idle chain sprocket, For hostile environments



CHTRP

Single and dual output gearboxes, Up to 34,5 Nm



GARDLL

Mounting sleeve for lock pin, Nickel-plated steel or Stainless steel



M1

Worm and wheel set, Bronze



RBNtc

Swivel castor with central hole, Steel - rubber



P15

Worm and wheel gear reducer, up to 3,75 Nm



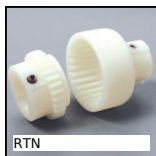
CHMX_CHMDX

Shaft for worm and wheel reducer CHMR and CHM, CHMR and CHM gearbox...



PSG15S

Spur gear - precision range, Stainless steel 303



RTN

BoWex® curved tooth gear coupling, Nylon



DKGS

Backlash free coupling Gerwah®, from 0.5 to 3Nm



CTss

Universal joint, telescopic, Inox, Light duty

Complementary products



PRF4545

Standard aluminium profile, 45 x 45 mm