

Anchoring bracket for aluminium profile

PRFPF **MiniTec**

- Supplied without fixing kit
- Material: grey powder covered steel

Uses

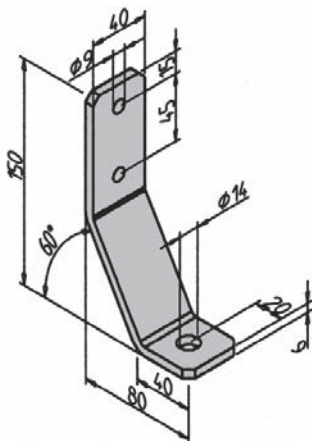
- Used to anchor a structure to the floor or wall

Assembly

- Attaches to profile using M8 x 20mm screws.
- Attaches to floor or wall using anchoring system
- Can be added to existing structures



Typical application



DISCOUNTS

Qty	1+	50+	100+
Disc.	List	-5%	On request

Part number	Type	Weight (kg)	Stock*	Price each 1 to 49
PRF-PF-150	Anchor bracket	0,355	✓	14,36 €

*Depending on availability - Dimensions in mm

Our other products



UCF_SS
Stainless steel flanged bearing, Stainless steel



PRS50
Stainless steel articulated foot Ø50, Ø 50



SCH
Horizontal hook toggle clamp, Horizontal Hook clamp - steel



CM_CO
Tools Hygienic Usit® and Hygienic Design®, Protective inserts for ...



SSG0
Stainless steel spur gear, Stainless steel 304L



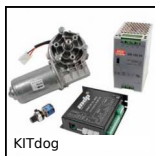
UCFL
Cast iron flanged bearing, Cast iron



MC
Self-compensating shock-absorber, Self-compensating - without adjust...



PGM52-M4
Pull handle, Aluminium



KITdog
24V DC motorisation kit, Worm and wheel



DCG
Suction cup, 2.5 bellows, natural rubber



BPHR
Ball transfer unit housed spring loaded, High



VDSQ
Sliding lock adjustment system, Sliding lock for square profile

Complementary products



PRF4545
Standard aluminium profile, 45 x 45 mm



PRF_VTM
Hammerhead screw, Hammerhead screw