

Lip seal for panel

PRFJL **MiniTec** For 2mm thick panels

- Material: black EPDM
- Seal sold by the metre

Uses

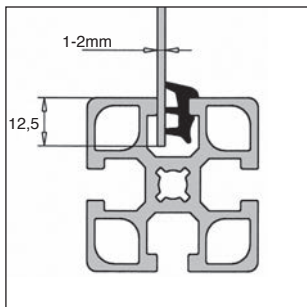
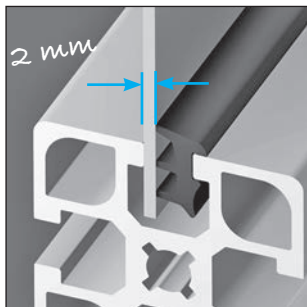
- For supporting and sealing 2mm thick panels in profile slots
- Should not be used with acrylic or polycarbonate panels

Assembly

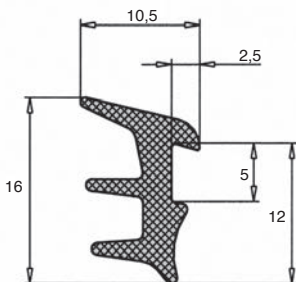
- Place the panel in the profile slot
- Insert the lip seal
- Press seal into place with suitable blunt tool
- For panels thinner than 2mm, use 2 PRF-JL-6 seals on either side of the panel instead.

Info.

- Max length available 200m
- Panels: Add 25mm to height and width of aperture to ensure panel will be supported correctly



Assembly example



DISCOUNTS

Qty	1+	50+	100+
Disc.	List	-5%	On request

Part number	Type	Weight (kg/m)	Price per metre
PRF-JL-2	Lip seal	0,092	3,40 €

Dimensions in mm

Our other products



HCSS

Set screw with hexagonal socket, Cup point



RFK28B

Hypoid gearbox - Stainless steel, up to 130 Nm



AC156-157

Strike for toggle latch, 25.5mm



PCH

Knob for gripping, Mushroom



PRF4545

Standard stainless steel profile, 45 x 45 mm



EIM

Stainless steel U bolt, Stainless steel



MFB

Flexible bellows coupling, Aluminium and Bronze - With set screw



PO

Pull handle - Multi-sector, Smooth hole



BDP2R

Adjustable support arm, Increased grip



CAP882

Flexible slat top chain acetal, Large range 882



MHQMEP

Arm with rotating handle, Square bore



BOX-SHNA

Hexagonal nut - DIN934, Box set of steel nuts

Complementary products



PRF4545

Standard aluminium profile, 45 x 45 mm