

- Profile for creating modular structures
- To be cut to length once supplied
- PR4545 profile is basic profile for creating all types of structures
- Material: anodised aluminium
- Covers are not sold individually, please contact us for details

Accessories

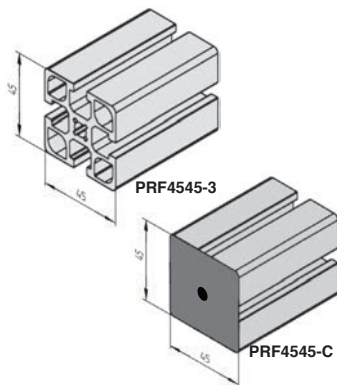
- Universal fastener PRF-FIX-UNI
- Right angle PRF19-E, PRF25-E, PRF45-E, PRF4590-E
- Standard fastener PRF-FIX-STD
- Screwed-in assemblies

Uses

- All types of construction



Typical application



DISCOUNTS profile DISCOUNTS cover

Qty	1+	5+	10+	Qty	1+	50+	100+
Disc.	List	-5%	On request	Disc.	List	-5%	On request

Part number	lx (cm')	ly (cm')	Length (mm)	Weight (kg/m)	Stock*	Price each
Profile						
PRF4545-3	14,153	14,153	3000	2,005	✓	77,78 €
Cover						
PRF4545-C		End cover with pin			✓	1,04 €

*Depending on availability - Dimensions in mm

Our other products



PFM

Fixed levelling foot,
Flanged plate



ACL

Joints for aluminium
profiles, Variable
angle corner



DEP

Tools Hygienic Usit®
and Hygienic
Design®, Socket for
mounting Hyg...



MLY_SS

Stainless steel bow
shackle with eye bolt,
Stainless steel



PPJ

Indexing plunger with
flange, With
horizontal mounting
flange and pu...



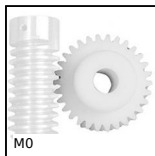
PRF_PSA

Shaft support for
aluminium profile,
Linear guide shaft



PO

Pull handle - Multi-
sector, Smooth hole



M0

Worm and wheel set,
Machined plastic
(delrin)



CHA1056-U4

Screwed hinge, 180°



PLM-SC

Magnetic stud with
threaded hole, With
threaded hole



HLC24

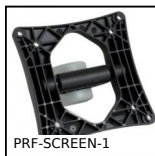
Right angle spiro
bevel gearbox, Up to
78Nm



ERF

Quick fitting threaded
cable terminal, Cable
terminal with
threaded ...

Complementary products



PRF-SCREEN-1

Screen support, Basic
support



PRF-SCREEN-4

Screen support,
Support with 4 axes of
rotation



PRF-SCREEN-5

Screen support,
Support with 5 axes of
rotation



PRF4545

Standard aluminium
profile, 45 x 45 mm