

Standard aluminium profile

Stock

PRF3232 *MiniTec*

Section: 32x32 mm

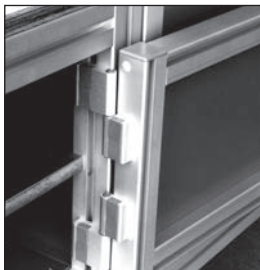
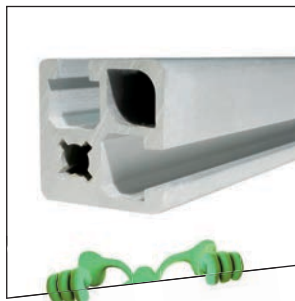
- Profile for creating modular structures
- To be cut to length once supplied
- Material: anodised aluminium
- Covers are not sold individually, please contact us for details

Accessories

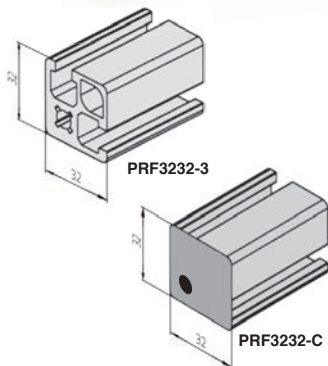
- Universal fastener PRF-FIX-UNI
- Right angle PRF19-E
- Standard fastener PRF-FIX-STD
- Screwed-in assemblies

Uses

- Light supports
- Handles
- Detector and switch support
- Frames



Typical application



DISCOUNTS profile DISCOUNTS cover

Qty	1+	5+	10+	Qty	1+	50+	100+
Disc.	List	-5%	On request	Disc.	List	-5%	On request

Part number	lx (cm ²)	ly (cm ²)	Length (mm)	Weight (kg/m)	Stock*	Price each
Profile						
PRF3232-3	4,824	4,824	3000	1,288	✓	66,53 €
Cover						
PRF3232-C		End cover with pin			✓	1,21 €

*Depending on availability - Dimensions in mm

Our other products



AC144
Strike for toggle latch,
22mm



ACL-FPA
Panel mounting block
for aluminium
structures, Support
block



BTC20_10
End cap for
rectangular tube,
Standard



AKN
Bellows coupling
Gerwah®, from 22 to
180Nm



DB
Steel bevel gear, 2:1



PO
Pull handle - Multi-
sector, Smooth hole



MSP23
Masterplate®
glueable insert Ø23,
Cylindrical Ø23 with
threaded s...



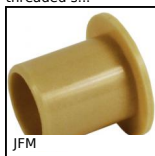
HDSS
Needle roller double
universal joint -
Stainless steel, Heavy
duty



BDM
Pin for magnetic bush,
Fast and light
magnetic locking



GPBSS
Threaded spherical
knob, Aluminium



JFM
Flanged polymer
bush, Universal
polymer



KKB-AR
Linear bearing with
inclined ball tracks,
Standard loads / -20°
+20...

Complementary products



PRF_FIX_UNI
Universal fastener for
aluminium profile,
Universal



PRF19_E
Bracket for aluminium
profile, PRF19 to
PRF45