

# Standard aluminium profile

Stock

PRF1932 **MiniTec**

Section: 19x32 mm

- Profile for creating modular structures
- To be cut to length once supplied
- Material: anodised aluminium
- Covers are not sold individually, please contact us for details

## Accessories

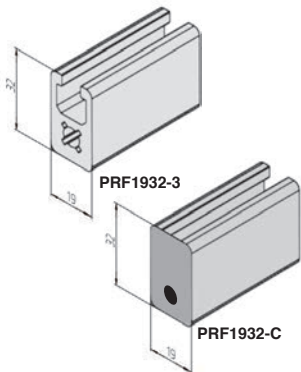
- Universal fastener PRF-FIX-UNI
- Right angle PRF19-E
- Standard fastener PRF-FIX-STD
- Screwed-in assemblies

## Uses

- Light supports
- Handles
- Detector and switch supports
- Frames



Typical application



## DISCOUNTS profile DISCOUNTS cover

Qty	1+	5+	10+	Qty	1+	50+	100+
Disc.	List	-5%	On request	Disc.	List	-5%	On request

Part number	lx (cm <sup>2</sup> )	ly (cm <sup>2</sup> )	Length (mm)	Weight (kg/m)	Stock*	Price each
<b>Profile</b>						
PRF1932-3	3,105	1,527	3000	0,987	✓	56,11 €
<b>Cover</b>						
PRF1932-C		End cover with pin			✓	0,98 €

\*Depending on availability - Dimensions in mm

## Our other products



BPL

Ball transfer unit light duty, Light



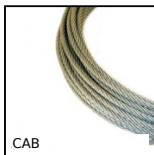
RT70

Self-centering locking Assembly, Medium/high torque



PSEC

Security pull handle, Thermoplastic



CAB

Galvanised steel cable, Galvanised steel



BABV

Ball lock pins lockable, Stainless steel



BHC

Socket head button screw, Stainless steel A2



GTC

Belt tensioner, For standard applications



SBRtool

Chain tool, Drive chain maintenance tools



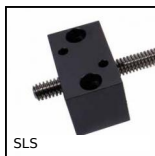
MSP19

Masterplate® glueable insert



PSG2

Spur gear - precision range, Pre-hardened



SLS

Bearing block for leadscrew, Fixed



LRR

Catch-plate for latch, Catch-plate

## Complementary products



PRF\_FIX\_UNI

Universal fastener for aluminium profile, Universal



PRF19\_E

Bracket for aluminium profile, PRF19 to PRF45



BAC105

Storage bin, 8mm



BAC105

Storage bin, 8mm