

Standard aluminium profile

Stock

PRF1932 **MiniTec**

Section: 19x32 mm

- Profile for creating modular structures
- To be cut to length once supplied
- Material: anodised aluminium
- Covers are not sold individually, please contact us for details

Accessories

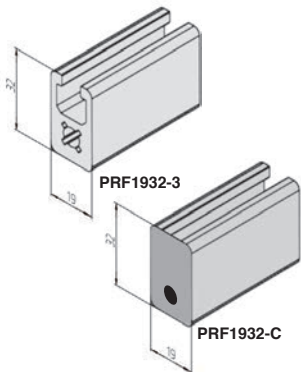
- Universal fastener PRF-FIX-UNI
- Right angle PRF19-E
- Standard fastener PRF-FIX-STD
- Screwed-in assemblies

Uses

- Light supports
- Handles
- Detector and switch supports
- Frames



Typical application



DISCOUNTS profile DISCOUNTS cover

Qty	1+	5+	10+	Qty	1+	50+	100+
Disc.	List	-5%	On request	Disc.	List	-5%	On request

Part number	lx (cm ²)	ly (cm ²)	Length (mm)	Weight (kg/m)	Stock*	Price each
Profile						
PRF1932-3	3,105	1,527	3000	0,987	✓	56,11 €
Cover						
PRF1932-C		End cover with pin			✓	0,98 €

*Depending on availability - Dimensions in mm

Our other products



HSE-HSB

Hexagonal spacer,
Steel



CHT

Asynchronous AC
Motor, 0.18 to 0.55kW



MSP38

Masterplate®
glueable insert Ø38,
Cylindrical Ø38 with
tapped ins...



J53

Spur gear coaxial
gearbox, from 0.43 to
1.15 - In-line



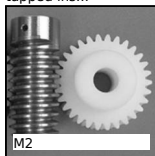
LPCM

Lever with cylindrical
handle, Black
Duroplast, steel lever



SLV

Vertical toggle clamp,
Vertical Lever Clamp -
steel



M2

Worm and wheel set,
Machined plastic
(delrin)



SRG

Adjustable latch
clamp with strike
plate, Stroke from
96mm to 121,7mm



PVL

Small lobed handle,
Polyamide



OP3_14_06

Reducing sleeve for
OP indicators,
Reduction socket



DOM180

Accessories, Turntable



CHM75

Worm and wheel gear
reducer, up to 298
Nm

Complementary products



PRF_FIX_UNI

Universal fastener for
aluminium profile,
Universal



PRF19_E

Bracket for aluminium
profile, PRF19 to
PRF45



BAC105

Storage bin, 8mm



BAC105

Storage bin, 8mm