

# Guide for aluminium profile

PRFGPA **MiniTec**

Parallel rails

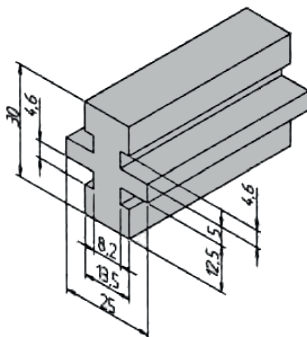
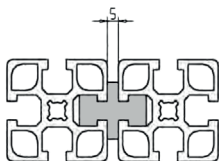
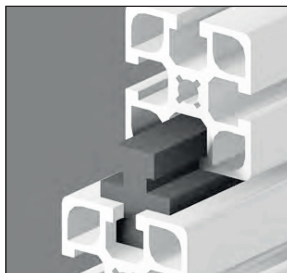
- **Parallel guides for PRF profiles**
- Full edge-to-edge movement
- Length 2 metres
- Materials:  
Hard plastic, black

## Advantages

- Does not change overall height
- Particularly wear-resistant

## Mounting

- If necessary, fix on one side with M6x16 screws (machining on the aluminium profile and on the rail required)



## DISCOUNTS

Qty	1+	5+	10+
Disc	Net	-5%	On request

Part N°	L	Weight (g/m)	Price each
PRF-GPA-2	2000	387	42,22 €

All dimensions in mm

**HPC**

WEB  
04/2020

www.hpceurope.com

Tél: 0 825 88 5000 Service 0,15 €/min + prix appel

## Our other products



GSI

Stainless steel gas spring, Stainless steel



SFE

Female rod ends, Stainless steel / PTFE



GP

Spring loaded toggle latch, Standard



T5M T10M

T type timing belt per metre, T5 Steel cored polyurethane



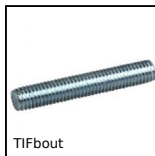
DEP

Tools Hygienic Usit® and Hygienic Design®, Protective insert for s...



BLHB30

Right angled gearbox, bored shafts, up to 4.47 Nm



TIFbout

Threaded stud - DIN976A, Steel



MLY

Bow shackle with eye bolt, Steel



DKONSL

Silicone conical elasto buffer, Male mounting



NCT

Square tube connector, Fixed



RPCtcss

Swivel castor with central hole, Stainless



AC

Strike for toggle latch, 13mm

## Complementary products



PRF-GPB

Guide for aluminium profile, Rail for 8mm wide slots



PRF4545

Standard aluminium profile, 45 x 45 mm