

Hammerhead screw

Stock

PRFVTM **MiniTec**

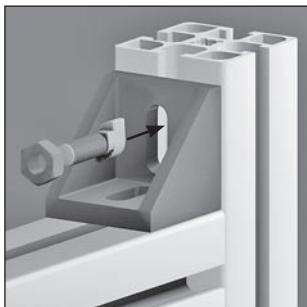
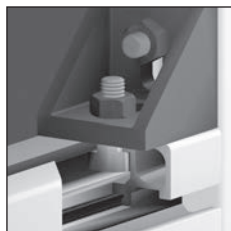
- Screws can be inserted at any point along the slot in the profile.
- Material: zinc plated steel
- **Not sold individually, contact us for details**

Advantages

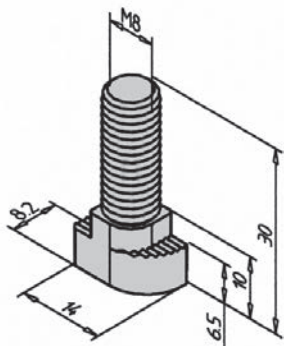
- Hammerhead screws are a simple way of adding components or accessories onto profiles that have already been assembled

Assembly

- Place the screw in the slot at the required position, mount the accessory to be added and tighten the M8 nut
- Tightening the nut causes the screw to become perpendicular to the slot.



Typical application



DISCOUNTS

Qty	1+	50+	100+
Disc.	List	-5%	On request

Part number	Type	Weight (kg)	Stock*	Price each 1 to 49
PRF-VTM-M8	Hammerhead screw	0,012	✓	1,09 €

*Depending on availability - Dimensions in mm

Our other products



RHTplss

High Temperature
Castor, up to 200kg



MDB_MTB

Moulded plastic bevel
gear (nylon), 2:1



SH1

Parallel axis helical
gear, Steel 20NCD2



NTM

Nylon tipped set
screw, Nylon-point



HBM

Adjustment bushing for
half-rail guide,
Adjustment bushing



CLSCLP_SS

Clevis components,
short version,
Stainless steel - short
range



DOMI120

Domino 120
adjustable slide, Slide
DOMILINE 120 with
counter and han...



GE14

Toggle latches, With
padlock-holder



SSG0

Stainless steel spur
gear, Stainless steel



SH1

Parallel axis helical
gear, Machined plastic



TM_CTM_CTF

Suction cup threaded
insert, Insert for



NIN

Self-locking nut, A2
Stainless steel

Complementary products



PRF4545

Standard aluminium
profile, 45 x 45 mm



PRF19_E

Bracket for aluminium
profile, PRF19 to
PRF45