

# Stock Support for Ø18 or Ø20mm Prox detectors

Suitable for use with aluminium profiles

## MiniTec PRFsDD

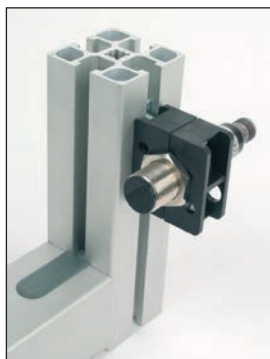
- Suitable for all Ø18 or Ø20mm proximity detectors
- Fixing kit supplied
- Material: black plastic

### Use

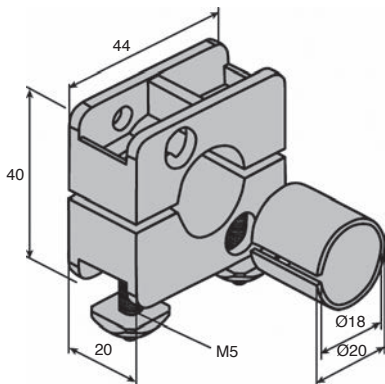
- Allows an Ø18 or Ø20mm proximity detector to be mounted on a profile or linear guide

### Assembly

- Mounts in the slot of a profile using the fixing kit supplied



Typical application



### DISCOUNTS

Qty	1+	50+	100+
Disc.	List	-5%	On request

Part number

PRF-SDD-18/20

Weight (g)

50

Stock\*

✓

Price each  
1 to 49

5,99 €

\*Depending on availability - Dimensions in mm

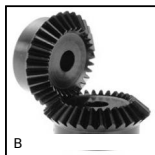
## Our other products



RPCtc  
Swivel castor with central hole, Steel - Polyamide - with double brake



HTD8M\_50  
HTD Heavy duty timing pulley, HTD8 Cast



B  
Steel bevel gear, 1:1



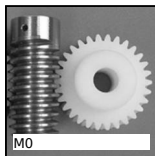
PLC\_PLT  
Magnetic stud with threaded hole, With threaded hole



RBNpl  
Swivel castor with double brake, Steel - rubber



LWL  
Linear ball slide - Stainless steel balls, Rail - from 514 N to 1670...



M0  
Worm and wheel set, Machined plastic (delrin)



M1  
Worm and wheel set, Bronze



PSG08  
Spur gear - precision range, Case hardened steel 20NCD2



GCA  
Lynch pin, Lynch



SDG  
Adjustable guide support bracket, Plastic



PML  
Solid foot mount for heavy loads, Ø 100, 120 or 150

## Complementary products



PRF4545  
Standard aluminium profile, 45 x 45 mm