

Support for Ø12mm Prox detector

Stock

PRF_{SDD} **MiniTec**

Suitable for use with aluminium profiles

- Suitable for all Ø12mm proximity detectors
- Fixing kit supplied
- Material: black plastic

Use

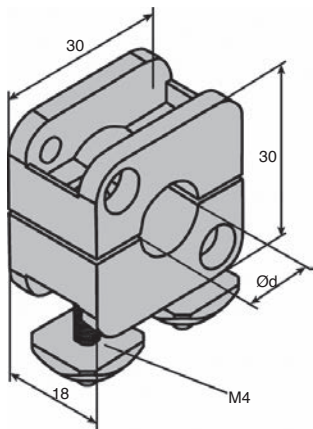
- Allows a Ø12mm proximity detector to be mounted on a profile or linear guide

Assembly

- Mounts in the slot of a profile using the fixing kit supplied.



Typical application



DISCOUNTS

Qty	1+	50+	100+
Disc. List	-5%	On request	On request

Part number	Ød	Weight (g)	Stock*	Price each 1 to 49
PRF-SDD-12	12	40	✓	4.91 €

*Depending on availability - Dimensions in mm

Stock Support for Ø18 or Ø20mm Prox detectors

Suitable for use with aluminium profiles

MiniTec PRFsDD

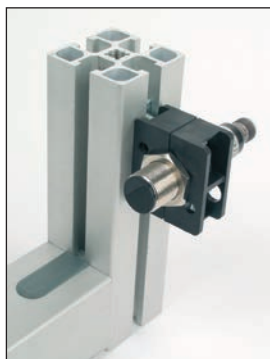
- Suitable for all Ø18 or Ø20mm proximity detectors
- Fixing kit supplied
- Material: black plastic

Use

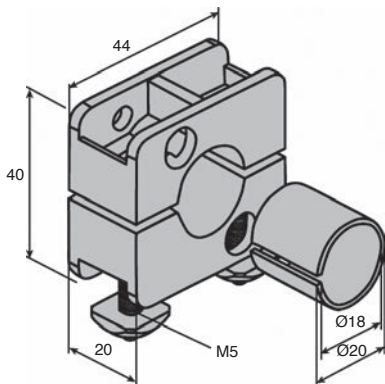
- Allows an Ø18 or Ø20mm proximity detector to be mounted on a profile or linear guide

Assembly

- Mounts in the slot of a profile using the fixing kit supplied



Typical application



DISCOUNTS

Qty	1+	50+	100+
Disc.	List	-5%	On request

Part number

PRF-SDD-18/20

Weight (g)

50

Stock*

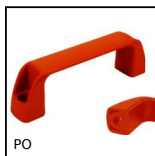
✓

Price each
1 to 49

5,99 €

*Depending on availability - Dimensions in mm

Our other products



PO

Pull handle - Multi-sector, Smooth hole



AC

Strike for toggle latch, 13mm



LRRA

Latch with locking system, Aluminium



CHAM5270SS

Marine hinge for welding/screw mounting, Marine



RFK38C

Hypoid gearbox - Stainless steel, up to 200 Nm



P40

Worm and wheel gear reducer, up to 18 Nm



DER63

Stainless steel AC asynchronous motor 0.18 kW, 0.18kW



FBL4004_K7

Brush strip per meter PA6 fibres Ø0.3 to Ø0.5, Black polyamide 6 -...



DOMI50

Accessories, Turntable



NPR

Reflector support,



VB

Small 6 lobe threaded handle - female, Duroplast - Brass



FF30

Offset spur gear reducer, from 21.50 to 83 Nm

Complementary products



PRF4545

Standard aluminium profile, 45 x 45 mm