

# Stock Coupling bar for aluminium profile

## MiniTecPRFRR

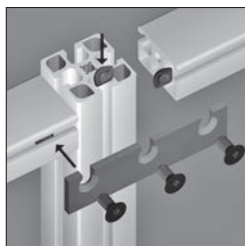
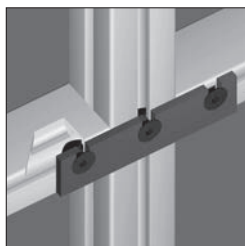
- Supplied with fixing kit
- Material:  
electroplated steel

### Advantages

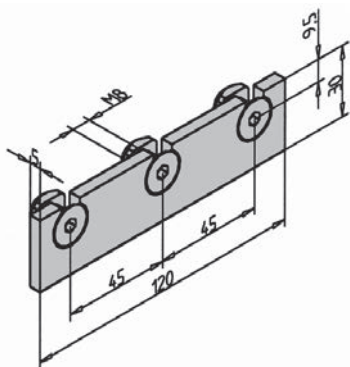
- Allows profiles of different sections to be joined together
- Can also be used to add additional profiles

### Assembly

- Attach the bar to the slot with the fixing kit
- No preparation necessary



Assembly example



**INCREASED STOCK**

### DISCOUNTS

Qty	1+	50+	100+
Disc.	List	-5%	On request

Part number	Type	Weight (kg)	Stock*	Price each 1 to 49
PRF-RR-120	Coupling bar	0,103	✓	7,93 €

Dimensions in mm

## Our other products



PSG125HC

Skive hobbed spur gears - precision range, Case hardened steel 20NCD2



AT5P\_AT10P

Connecting plate for AT type timing belts, AT5



BH01

Single housed bearing, Bearing fitted with adhesive



SBF

Sealed flange bearing unit for Food Industry, cover



HTD5M\_25

HTD Heavy duty timing pulley, HTD5 Aluminium



SBRtool

Chain tool, Drive chain maintenance tools



HTD5M\_09

HTD Heavy duty timing pulley, HTD5 Steel



BLH40

Right angled gearbox, from 3 to 10.30 Nm



SLB

Indexing plunger, steel class 5.8



BOX-TOR-INCH

Box set of Nitrile O-rings in inch NBR90Sh



CHMBR

Reaction arm, CHM and CHMR gear



EFSM

Igubal® flange bearing, Polymer

## Complementary products



PRF4545

Standard aluminium profile, 45 x 45 mm