



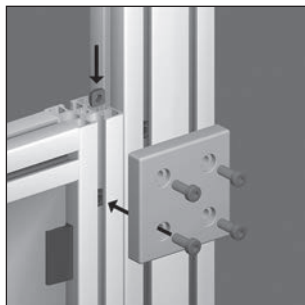
# Joining plate for aluminium profile

## For joining pre-assembled **MiniTec** PRFP/L structures

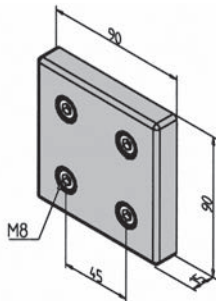
- For joining two structures together
- Ensures rigid and stable installation of protective barriers
- Mounting kit supplied
- Material:  
Grey powder coated aluminium GD

### Assembly

- Use the fixing kit to attach to the mounting slot on the protective panel and the slot on the support profile



Typical assembly



### DISCOUNTS

Qty	1+	50+	100+
Disc. List		-5%	On request

Part number	Weight (kg)	Stock*	Price each 1 to 49
PRF-PL-9090	0,33	✓	9,15 €

\*Depending on availability - Dimensions in mm

## Our other products



GB-RA

Brass spur gear, Brass  
CuZn39Pb3



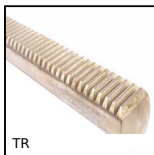
BABFCFO

Ball pin socket,  
Mounting collar with a  
round flange



PRF19\_E

Bracket for aluminium  
profile, PRF19 to  
PRF45



TR

Spur round rack,  
Stainless steel -  
module 0,25-1,5



BCAss

Stainless steel splined  
bush, Inox



RNAST

Cam follower without  
axial guide, Without  
interior ring



INS100

Self tapping inserts-  
coarse thread, Coarse  
thread



OP3

Mechanical digital  
position indicator, 4  
numbers



RFVcap

Stainless steel  
protective cover,  
Open protective cover



PM4

Worm and wheel set,  
Hardened steel



BSPT

Single rod clip, Round



PAMF120

Articulated fixable  
foot, pressed bolt-  
down base  $\varnothing$  120,  $\varnothing$   
120

## Complementary products



PRF4545

Standard aluminium  
profile, 45 x 45 mm