

# Anchoring bracket for aluminium profile Stock

## PRFPF **MiniTec**

- Supplied without fixing kit
- Material: grey powder covered steel

### Uses

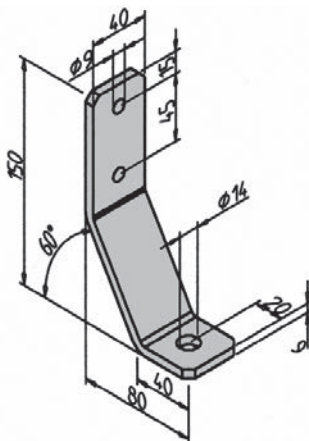
- Used to anchor a structure to the floor or wall

### Assembly

- Attaches to profile using M8 x 20mm screws.
- Attaches to floor or wall using anchoring system
- Can be added to existing structures



Typical application



### DISCOUNTS

Qty	1+	50+	100+
Disc.	List	-5%	On request

Part number	Type	Weight (kg)	Stock*	Price each 1 to 49
PRF-PF-150	Anchor bracket	0,355	✓	14,36 €

\*Depending on availability - Dimensions in mm

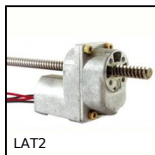
## Our other products



LF  
Precision locknut,  
Precision locknut



F7-P-AM  
Multifunction display,  
Magnetic band



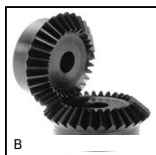
LAT2  
2A motorised linear  
actuator, 2 amperes



CLASS  
Stainless steel  
indexing handle -  
female, Stainless steel



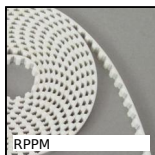
RHTplss  
High Temperature  
Castor, up to 200kg



B  
Steel bevel gear, 1:1



WING  
Manually tightened  
wing nut, Stainless  
steel DIN 314/315



RPPM  
RPP type belt per  
metre, RPP8 Steel  
cored polyurethane



AHEX  
Hexagonal shaft,  
Hexagonal shaft



BSM  
Spring plunger with  
internal hexagonal  
socket, stainless steel



CLG3  
Moulded plastic spur  
gear, Moulded plastic  
(nylon)



RFVfp  
Stainless steel worm  
and wheel gearboxes,  
Mounting bracket

## Complementary products



PRF4545  
Standard aluminium  
profile, 45 x 45 mm



PRF\_VTM  
Hammerhead screw,  
Hammerhead screw