

Angle plate for aluminium profile

Stock

PRFPA **MiniTec**

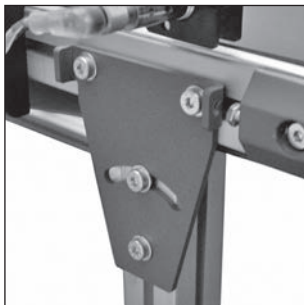
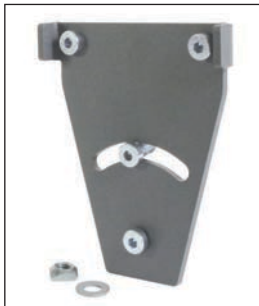
- Supplied with fixing kit
- Material:
covered steel

Uses

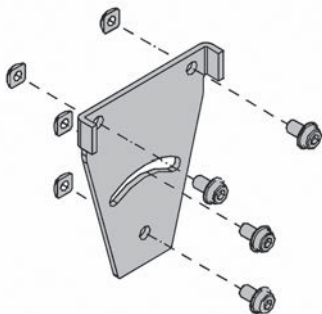
- Attaches support bases to the conveyor of a chassis
- Can also be used with slope conveyors
- Range +/- 35°

Assembly

- Attach to the side of the conveyor chassis and to the bases using the fixing kit



Typical application



INCREASED STOCK

DISCOUNTS

Qty	1+	50+	100+
Disc.	List	-5%	On request

Part number	Type	Weight (kg)	Stock*	Price each 1 to 49
PRF-PA	Angle plate	0,377	✓	23,73 €

Dimensions in mm

Our other products



F7-SF-5M

Multifunction display,
Right angled
mounting bracket



PSG08

Spur gear - precision
range, Case hardened
steel 20NCD2



SH2

Parallel axis helical
gear, Steel 20NCD2



PV1R

Adjustable suction-
cup support, Standard
grip



PCS37

Chain sprocket - steel,
9.525mm (DIN06B-1)



MEB

Moulded plastic bevel
gear (nylon), 1:1



RPCplss

Swivel castor with
double brake,
Stainless steel -
Polyamide



GG1

Ground spur gear,
Heat treated steel



BDM

Pin for magnetic bush,
Fast and light
magnetic locking



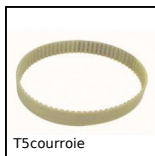
CLASS

Stainless steel
indexing handle -
female, Stainless steel



T5-10ECO

T type timing pulley,
Economy range - T5
aluminium



T5courroie

T type timing belt, T5
Steel cored
polyurethane

Complementary products



PRF4545

Standard aluminium
profile, 45 x 45 mm