

Lip seal for panel

For 6mm thick panels

MiniTecPRFJL

- Material: black EPDM AGV
- Seal sold by the metre

Uses

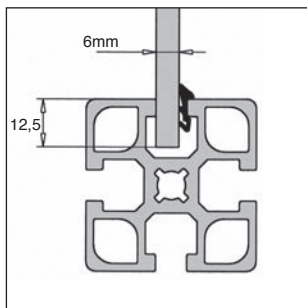
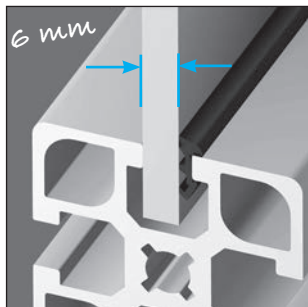
- For supporting and sealing 6mm thick panels in profile slots
- Can be used with plexiglass or polycarbonate panels
- Can also be used to support panels thinner than 2mm by using a seal on each side

Assembly

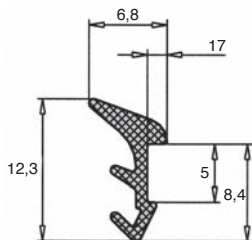
- Place the panel in the profile slot
- Insert the lip seal
- Press seal into place with suitable blunt tool

Info.

- Max length available 200m
- Panels: Add 25mm to height and width of aperture to ensure panel will be supported correctly



Assembly example



DISCOUNTS

Qty	1+	50+	100+
Disc.	List	-5%	On request

Part number	Type	Weight (kg/m)	Price per metre
PRF-JL-6	Lip seal	0,033	1,68 €

Dimensions in mm

Our other products



DB
Steel bevel gear, 2:1



SVG
Adjustable latch clamp with strike plate, Stroke from 118mm to 130,5mm



SEV
Vertical stirrup toggle clamp, Vertical Latch Clamp - stainless steel



TK_UUQP
Topball self-aligning linear bearing, Topball self-aligning



BPFL
Sheet steel flanged bearing for light loads, Sheet steel



T5P_T10P
Connecting plate for T type timing belts, T10



T5P_T10P
Connecting plate for T type timing belts, T5



G2
Steel spur gear, Steel 20NCD2



PRF_GAL
Roller for aluminium profile, Fixing kit for roller eccentric



PCP
Cell carrier assembly, Ready assembled



BCFH
Mushroom headed button Hygienic Usit®, With male



EAR
Bearing locknut, Self locking locknut - nylon lock washer

Complementary products



PRF4545
Standard aluminium profile, 45 x 45 mm