

Lip seal for panel

For 4mm thick panels

MiniTec PRFJL

- Material: black EPDM AGV
- Seal sold by the metre

Uses

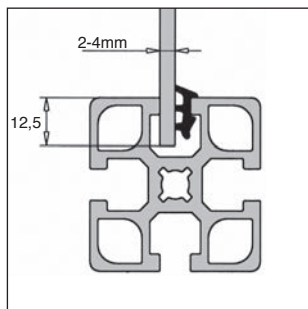
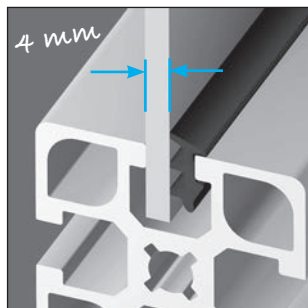
- For supporting and sealing 2-4mm thick panels in profile slots
- Can be used with acrylic or polycarbonate panels

Assembly

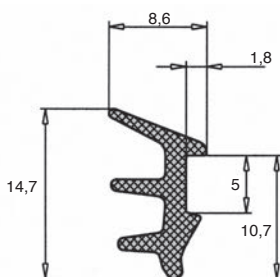
- Place the panel in the profile slot
- Insert the lip seal
- Press seal into place with suitable blunt tool

Info.

- Max length available 200m
- Panels: Add 25mm to height and width of a perture to ensure panel will be supported correctly



Assembly example



DISCOUNTS

Qty	1+	50+	100+
Disc.	List	-5%	On request

Part number	Type	Weight (kg/m)	Price per metre
PRF-JL-4	Lip seal	0,065	2,32 €

Dimensions in mm

Our other products



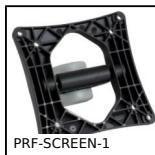
MHMEP

Arm with rotating handle, Prebored



PTA50ssEB

Articulated foot with sheet metal base Ø50, Articulated foot



PRF-SCREEN-1

Screen support, Basic support



PCF4

Conical flexible mount, Square base plate



IN2

Internal gear, Steel 20NC2



PW_PWG2

Worm - precision range, Stainless steel



AT10courroie

AT type timing belt, AT10 Steel cored polyurethane



BOX-INS-W

Box set of self tapping inserts, Boxed set - For wood



GBMz

Cylindrical ballscrew nut, Cylindrical nut - Multiple starts



VAP

Magnetic stud with central hole, With central hole



GLB

Small 6 lobe female handle, Technopolymer -



PCM

Fixed cylindrical handle, Fixed non-turning handle

Complementary products



PRF4545

Standard aluminium profile, 45 x 45 mm