

Lip seal for aluminium profile panels

PRFJL **MiniTec** For 2mm thick panels

- Material: black EPDM
- Seal sold by the metre

Application

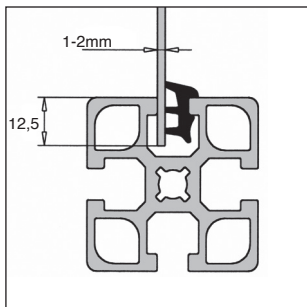
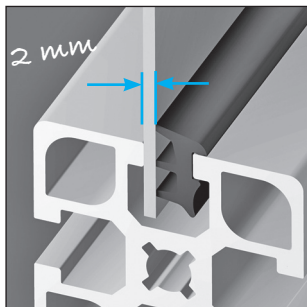
- For supporting and sealing 2mm thick panels in profile slots
- Cannot be used with acrylic or polycarbonate panels

Assembly

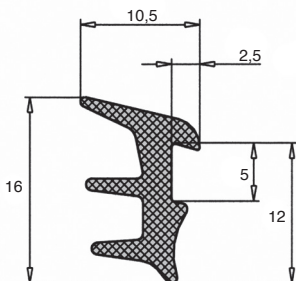
- Place the panel in the profile slot
- Insert the lip seal
- Press seal into place with suitable blunt tool
- For panels thinner than 2mm, use 2 PRF-JL-6 seals on either side of the panel instead.

Info.

- Max length available 200m
- Panels: Add 25mm to height and width of aperture to ensure panel will be supported correctly



Typical application



DISCOUNTS

Qty	1+	50+	100+
Disc.	List	-5%	On request

Part number	Type	Weight (kg/m)	Price per metre
PRF-JL-2	Lip seal	0,092	4,41 €

Dimensions in mm

Lip seal for aluminium profile panels

For 4mm thick panels

MiniTec PRFJL

- Material: black EPDM AGV
- Seal sold by the metre

Application

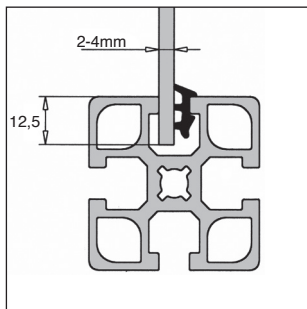
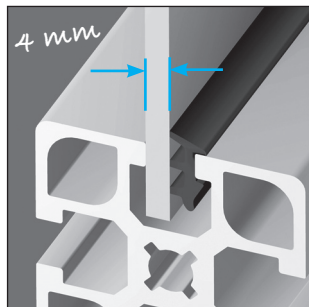
- For supporting and sealing 2-4mm thick panels in profile slots
- Can also be used with acrylic or polycarbonate panels

Assembly

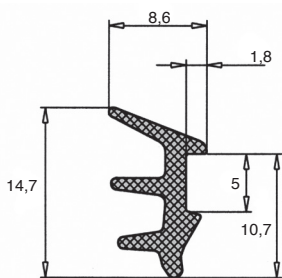
- Place the panel in the profile slot
- Insert the lip seal
- Press seal into place with suitable blunt tool

Info.

- Max length available 200m
- Panels: Add 25mm to height and width of a perture to ensure panel will be supported correctly



Typical application



DISCOUNTS

Qty	1+	50+	100+
Disc.	List	-5%	On request

Part number	Type	Weight (kg/m)	Price per metre
PRF-JL-4	Lip seal	0,065	3,34 €

Dimensions in mm

Lip seal for aluminium profile panels

PRFJL **MiniTec** For 5mm thick panels

- Material: black EPDM AGV
- Seal sold by the metre

Application

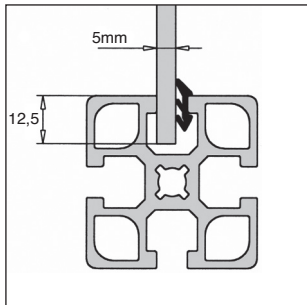
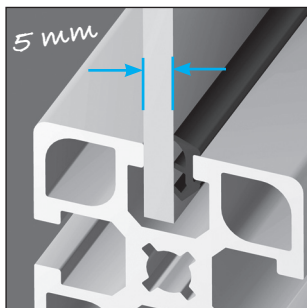
- For supporting and sealing 5mm thick panels in profile slots
- Can be used with Plexiglass or polycarbonate panels

Assembly

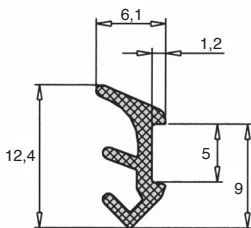
- Place the panel in the profile slot
- Insert the lip seal
- Press seal into place with suitable blunt tool

Info.

- Max length available 200m
- Panels: Add 25mm to height and width of aperture to ensure panel will be supported correctly



Typical application



DISCOUNTS

Qty	1+	50+	100+
Disc.	List	-5%	On request

Part number	Type	Weight (kg/m)	Price per metre
PRF-JL-5	Lip seal	0,033	3,36 €

Dimensions in mm

Lip seal for aluminium profile panels

For 6mm thick panels

MiniTecPRFJL

- Material: black EPDM AGV
- Seal sold by the metre

Application

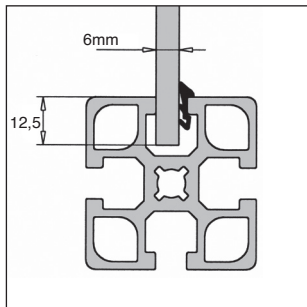
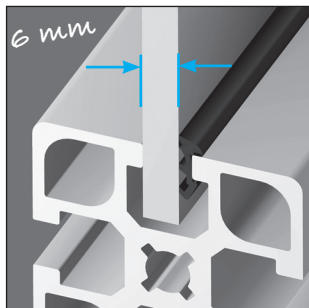
- For supporting and sealing 6mm thick panels in profile slots
- Can be used with Plexiglass or polycarbonate panels
- Can also be used to support panels thinner than 2mm by using a seal on each side

Assembly

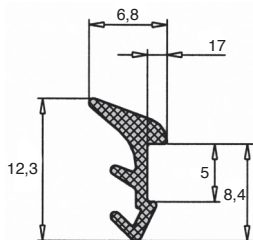
- Place the panel in the profile slot
- Insert the lip seal
- Press seal into place with suitable blunt tool

Info.

- Max length available 200m
- Panels: Add 25mm to height and width of aperture to ensure panel will be supported correctly



Typical application



DISCOUNTS

Qty	1+	50+	100+
Disc.	List	-5%	On request

Part number	Type	Weight (kg/m)	Price per metre
PRF-JL-6	Lip seal	0,033	3,34 €

Dimensions in mm

Door seal for aluminium profile

PRFLIS **MiniTec**

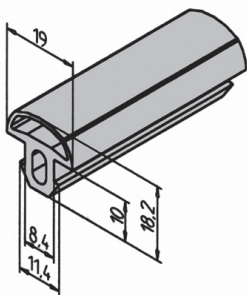
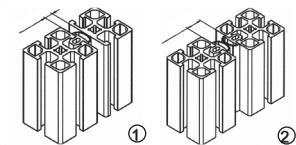
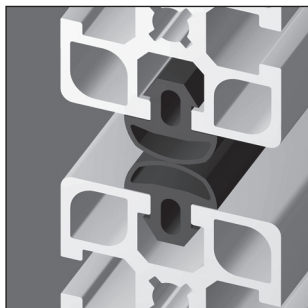
- Material: black NBR
- Hardness (Shore A) 70
- Flexible seal supplied by the metre

Uses

- Seals doors, panels and other assembled structures against dust, water, noise pollution etc...

Assembly

- Insert the seal into the slot of the profile
- ① When using 1 seal, leave a gap of 5-8mm
- ② When using seals on both profiles, a gap of 10-15mm is required



DISCOUNTS

Qty	1+	50+	100+
Disc.	List	-5%	On request

Part number	Type	Weight (kg/m)	Price per metre
PRF-LIS	Seal	0,14	6,32 €

Dimensions in mm