

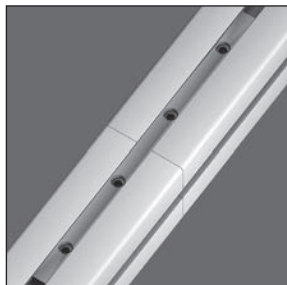
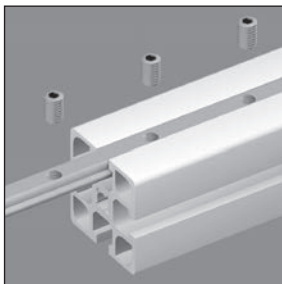
- Material: electroplated steel
- 4 electroplated M8 x14mm grub screws (use SW4 hexagonal key or PRF-TOOL-H4 tool)

Uses

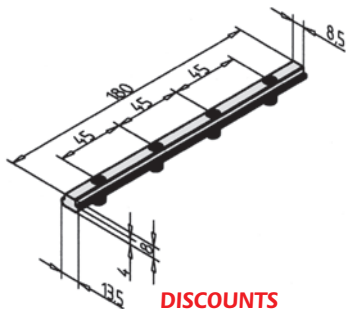
- For but joining profiles.
- For creating longer profiles

Assembly

- Simply twist into slot in profile
- No preparation required
- For long profiles or to support heavier loads, use more joining bars.



Typical application



DISCOUNTS

| | | | |
|-------|------|-----|------------|
| Qty | 1+ | 50+ | 100+ |
| Disc. | List | -5% | On request |

| Part number | Type | Weight (kg) | Stock* | Price each 1 to 49 |
|-------------|-------------|-------------|--------|--------------------|
| PRF-ER-180 | Joining bar | 0,12 | ✓ | 11,61 € |

*Depending on availability - Dimensions in mm

Our other products



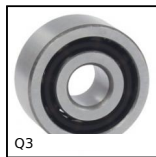
BAG
Steel Clamping collar,
Steel



AC
Strike for toggle latch,
15mm



MHX
Hexagonal threaded
sleeve, Hexagonal -
stainless steel



Q3
Double row angular
contact ball bearing,
Angular contact -
Steel



Q4
Double row radial
contact ball bearing,
Radial contact - Steel



RBGtc
Swivel castor with
central hole, Steel -
grey rubber - with
double ball...



PTA40ssEB
Articulated foot with
sheet metal base
Ø40, Ø 40



SH2
Parallel axis helical
gear, Steel 20NCD2



PRF_ART
Articulated bracket for
use with aluminium
profile, With clamping



PRF1932
Standard aluminium
profile, 19 x 32 mm



PGB
Accessory-holder for
aluminium profile,
Tool holder



BLM
Spring loaded plunger
with ball tip, Plastic
body

Complementary products



PRF4545
Standard aluminium
profile, 45 x 45 mm