

Clamp for aluminium profile

Stock

PRFBR *MiniTec*

- Supplied with fixing kit

- Material:

Anodised aluminium

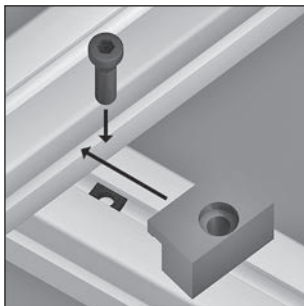
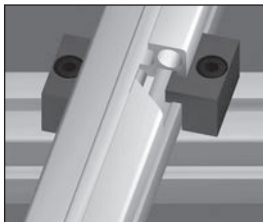
Use

- Use the slots on two profiles to connect them at any angle

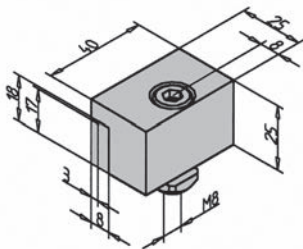
Assembly

- Attach the clamp to the slot of the first profile and then tighten the second

- No preparation required



Typical application



DISCOUNTS

Qty	1+	50+	100+
Disc.	List	-5%	On request

Part number	Type	Weight (kg)	Stock*	Price each 1 to 49
PRF-BR	Clamp	0,069	✓	9,57 €

*Depending on availability - Dimensions in mm

Our other products



TCLar

Automatic chain tensioner, With wide guide



PRF_PF

Anchoring bracket for aluminium profile, Anchor



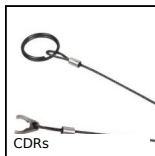
DOMI120

Accessories, Clamping lever



MAC

Carabiner DIN5299 steel, Steel



CDRs

Retaining cable for ball pin, Retaining cable



SME

Male rod ends , Stainless steel / PTFE



UTKpwr

Utilitak® V rail, V rail



PRF_GAL

Roller for aluminium profile, Fixing kit for roller eccentric



KB_UU

Closed linear precision bearing, Precision - steel



CHML50

Worm and wheel gear reducer, up to 107 Nm - Integrated



HW_HT

Half-rail guide, Wheel



ACLLPP

Latch for aluminium profile, Spring operated latch

Complementary products



PRF4545

Standard aluminium profile, 45 x 45 mm