

Guide for aluminium profile

PRFGPA **MiniTec**

Parallel rails

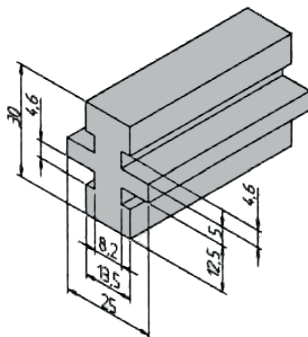
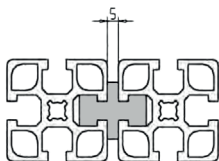
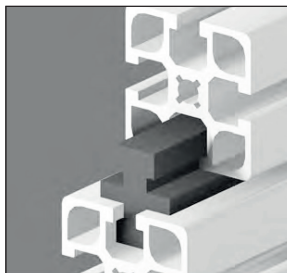
- **Parallel guides for PRF profiles**
- Full edge-to-edge movement
- Length 2 metres
- Materials:
Hard plastic, black

Advantages

- Does not change overall height
- Particularly wear-resistant

Mounting

- If necessary, fix on one side with M6x16 screws (machining on the aluminium profile and on the rail required)



DISCOUNTS

Qty	1+	5+	10+
Disc	Net	-5%	On request

Part N°	L	Weight (g/m)	Price each
PRF-GPA-2	2000	387	42,22 €

All dimensions in mm

HPC

WEB
04/2020

www.hpceurope.com

Tél: 0 825 88 5000 Service 0,15 €/min + prix appel

Our other products



PDD

Actuating plunger,
Non-rotating detector
shaft



DER71

Stainless steel AC
asynchronous motor
0.25 à 0.37kW, 0.25
to 0.37kW



DOMI80

Connecting kits, XY
linking kit



PLS

Cylindrical spacer,
Stainless steel 303



Q3

Double row angular
contact ball bearing,
Angular contact -
Steel



BAB

Hardened Stainless
steel ball pin,
Stainless steel
hardened



CHB

Worm and wheel gear
reducer, up to 73 Nm



ZAmM

Shaft for linear
guides, Hardened
ground steel



CHA38_SS

Stainless steel face
frame hinge, Surface



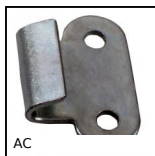
PAT85

Pressed stainless
steel articulating foot



HBM

Adjustment bushing
for half-rail guide,



AC

Strike for toggle latch,
15mm

Complementary products



PRF-GPB

Guide for aluminium
profile, Rail for 8mm
wide slots



PRF4545

Standard aluminium
profile, 45 x 45 mm