

Manual bench press



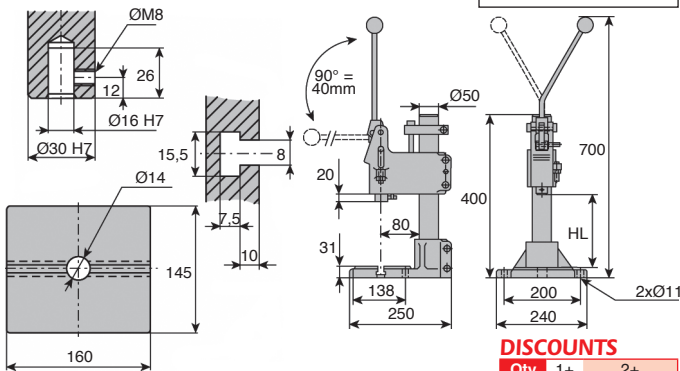
PRES7HR

700kg capacity

- **Knee-joint press**
- The maximum power is reached at the end of the stroke
- The travelling nut is prevented from turning
- Adjustable free height
- Screw stroke adjustment
- Quick and easy installation

Uses

- This model is particularly robust and is normally used for the assembly of parts, simple bending tasks and various fastening operations



DISCOUNTS

Qty	1+	2+
Disc.	List	On request

Part number	Power (kg)	Free height HL (mm)	Stroke length (mm)	Goose neck depth (mm)	Weight (kg)	Price each
PRES-7HR	700	35 - 260	40	95	25	955,42 €

Dimensions in mm

Our other products



UTKswr
Utilitak® V rail, V rail



PW_PWG2
Worm - precision range, Stainless steel



PTAF80-PAMF80
Articulated fixable foot with pressed base Ø80, Ø 80



J53
Spur gear coaxial gearbox, from 0.43 to 1.15 - Inline



CHAsb89
Hinge without pin, Plastic hinge



GG2
Ground spur gear, Heat treated steel



BTE
Universal tension arm, For standard applications



LACM_SS
Stainless steel cam lever, Female



MDR_SS
Stainless steel Dee shackle with eye bolt,



CHT80
Asynchronous AC Motor 0.55 to 1.1kW,



CLG2
Moulded plastic spur gear, Moulded plastic



PRF_JL5
Lip seal for panel, Door seal - Ø 5mm

Complementary products



PRES5HR
Manual workbench press, Force up to 500kg



PRES4HR
Manual workbench press, Force up to 600kg



CDP
Flanged drill bushing, Steel



CDPC
Flanged drill bushing, Steel