



Manual bench press

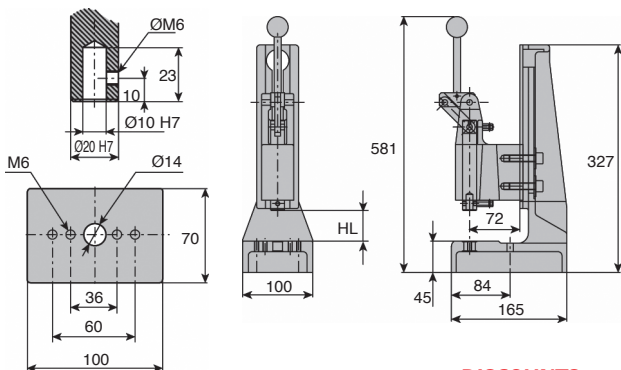
500kg capacity

PRES5HR

- **Knee-joint press**
- The maximum power is reached at the end of the stroke
- The travelling nut is prevented from turning
- Adjustable free height
- Screw stroke adjustment
- Quick and easy installation

Uses

- This model is particularly robust and is normally used for the assembly of parts, simple bending tasks and various fastening operations



DISCOUNTS

Qty	1+	2+
Disc.	List	On request

Part number	Power (kg)	Free height HL (mm)	Stroke length (mm)	Goose neck depth (mm)	Weight (kg)	Stock*	Price each
PRES-5HR	500	42 - 185	50	72	9	✓	453,57 €

*Depending on availability - Dimensions in mm

Our other products



Cam latch, Cam latch



Pipe linch pin, Tube linch pin



Stainless steel metric section rack, Stainless steel



Worm and wheel set, Hardened steel



Shaft for worm and wheel reducer CHMR and CHM, CHMR and CHM gearbox...



Spherical bushing, Steel / self lubricating steel



Sealed flange bearing unit for Food Industry, cover



Female rod ends DIN ISO12240-4, Steel / bronze



Right angled gearbox, bored shafts, up to



Idler sprocket for slat top chain, Rangs 820



T type timing belt per metre, T5 Steel cored



Moulded plastic bevel gear (nylon), 1:1

Complementary products



Manual workbench press, Force up to 700kg



Manual workbench press, Force up to 400kg



Flanged drill bushing, Steel



Flanged drill bushing, Steel