

Manual workbench press



PRES4HR

Force up to 600 kg

- Rack press
- The force is linear and constant over the full stroke.
- The ram is prevented from turning
- Free height is adjustable
- Stroke adjusts via a screw
- Quick and easy to install

Applications

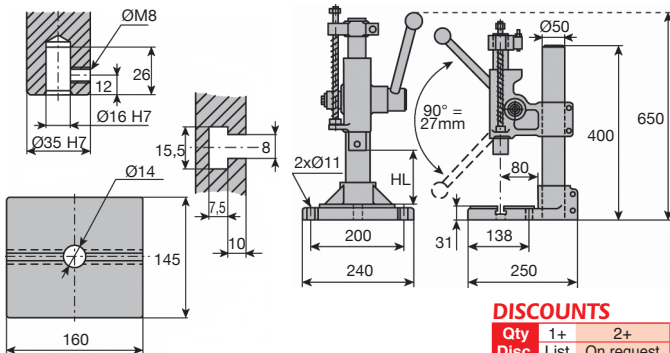
- This model is particularly robust and is frequently used for the assembly of parts, simple bending tasks and various fastening operations

Options

- 5 digit counter with reset button
- Accessories- see accessory page



version with counter



DISCOUNTS

Qty	1+	2+
Disc.	List	On request

Part number	Power (kg)	Free height HL (mm)	Stroke (mm)	Goose neck depth (mm)	Weight (kg)	Counter	Price each
PRES-4HR	600	46 - 280	100	95	25	Without	955,42 €
PRES-4HR-CPT	600	46 - 280	100	95	25	With	1 264,23 €

Dimensions in mm

Our other products



PRF4590
Standard aluminium
profile, 45 x 90 mm



GLT16
Telescopic slide rule,
Miniature



E30
Angle transmission
gearbox, from 1.50 to
9 Nm



UCF_PBT
Flange bearing,
Polymer and stainless
steel



ZDB
Machined plastic
bevel gear (delrin),
2:1



EHD04
Epicyclic servo
gearbox, from 3.4 to 7
Nm



SDB
Locating bolt support
bracket, Mounting
holes at 90° to
locating bolt



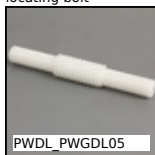
R_RR
Rack, rectangular
section, Steel



PCS25ECO
Chain sprocket - steel,
6.35mm



ARL_SRS
Plastic flexible rack,
Rack clamp



PWDL_PWGDL05
Worm - precision
range, Delrin



FTSN
Linear shaft, Steel
shaft / Aluminium
support

Complementary products



PRES
Accessories for
PRES-3HR and
PRES-4HR presses,
Micrometric

adjustment (0.02mm)



Accessories for
PRES-3HR and
PRES-4HR presses,
Set of slot nuts for T

profile slots



CDP

Flanged drill bushing,
Steel



CDPC

Flanged drill bushing,
Steel