

Manual workbench press



PRES4HR

Force up to 600 kg

- Rack press
- The force is linear and constant over the full stroke.
- The ram is prevented from turning
- Free height is adjustable
- Stroke adjusts via a screw
- Quick and easy to install

Applications

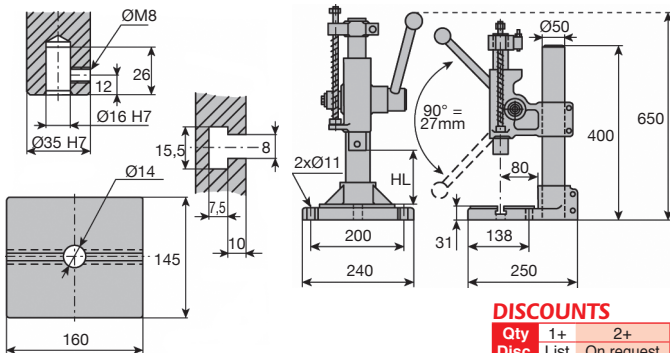
- This model is particularly robust and is frequently used for the assembly of parts, simple bending tasks and various fastening operations

Options

- 5 digit counter with reset button
- Accessories- see accessory page



version with counter



DISCOUNTS

Qty	1+	2+
Disc.	List	On request

Part number	Power (kg)	Free height HL (mm)	Stroke (mm)	Goose neck depth (mm)	Weight (kg)	Counter	Price each
PRES-4HR	600	46 - 280	100	95	25	Without	955,42 €
PRES-4HR-CPT	600	46 - 280	100	95	25	With	1 264,23 €

Dimensions in mm

Our other products



BABT

Hardened Stainless steel ball pin, Hardened stainless steel



ATZY

Diabolo shaped elasto mount, Steel



PSG25

Spur gear - precision range, Stainless steel 316



CHAB

Hinge with stop, Hinge



TUBE25_25

Square Tube, Aluminium or Stainless steel



ASL

45° Hoist ring for welding, for 45° lifts - for welding



PTA80ssEB

Articulated foot with sheet metal base Ø80, Articulated foot



KSM

Cylindrical steel nut, Steel - 1 thread



TOL

Swivel head, Long



RIMple

Locking castor, with mounting plate



VRC1

Retaining clamp, single sided, Single sided



HTD8M_20

HTD Heavy duty timing pulley, HTD8 Steel

Complementary products



PRES

Manual workbench press accessory for PRES-3HR end PRES-4HR, Micromet...



PRES

Manual workbench press accessory for PRES-3HR end PRES-4HR, Set of s...



CDP

Flanged drill bushing, Steel



CDPC

Flanged drill bushing, Steel