



Manual workbench press

Force up to **400 kg**

PRES3HR

- Rack press
- The force is linear and constant over the full stroke.
- The ram is prevented from turning
- Free height is adjustable
- Stroke adjusts via a screw
- Quick and easy to install

Applications

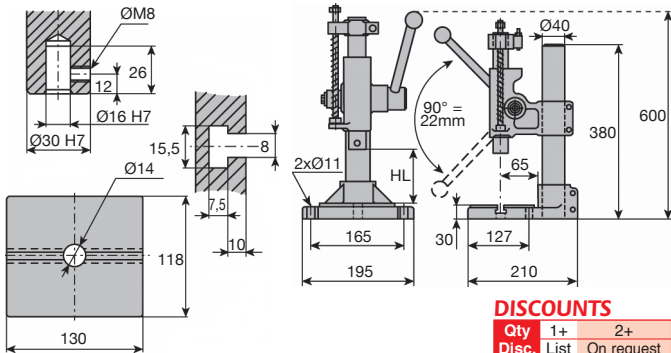
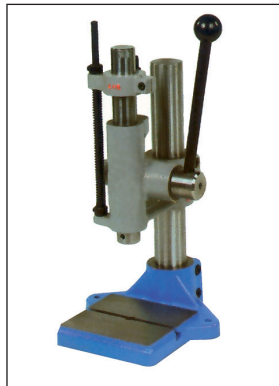
- This model is particularly robust and is frequently used for the assembly of parts, simple bending tasks and various fastening operations

Options

- 5 digit counter with reset button
- Accessories- see accessory page



version with counter



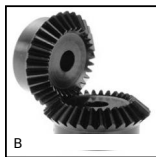
DISCOUNTS

Qty	1+	2+
Disc.	List	On request

Part number	Force (kg)	Free height HL (mm)	Stroke (mm)	Goose neck depth (mm)	Weight (kg)	Counter	Price each
PRES-3HR	400	35 - 270	80	80	17	Without	858,90 €
PRES-3HR-CPT	400	35 - 270	80	80	17	With	1 167,73 €

*Subject to available stock - Dimensions in mm

Our other products



B
Steel bevel gear, 1:1



RLXAC8
Free roller, Steel



TCSH
Automatic chain tensioner, With support



ACM_DZ
Clip for bonnet fastener, Clip



PRF_PSA
Shaft support for aluminium profile, Linear guide shaft



RURT
Swivel castor with central hole, Polyurethane - Aluminium rim (Free)



CHALss
Piano hinge, Stainless steel



CHAE4060PA
Decorative asymmetric screwed hinge, Polyamide



PTA40ssEB
Articulated foot white sheet metal base



APB_T
Adjusting rod for clamp - Female, Bored



NSKB
Drylin® Rail end cap, Rail end cap



NTMbr
Set screw brass tip, Brass-point

Complementary products



PRES
Manual workbench press accessory for PRES-3HR end PRES-4HR, Micromet...



PRES
Manual workbench press accessory for PRES-3HR end PRES-4HR, Set of s...



CDP
Flanged drill bushing, Steel



CDPC
Flanged drill bushing, Steel