

Manual workbench press



PRES2HR

Force up to 200 kg

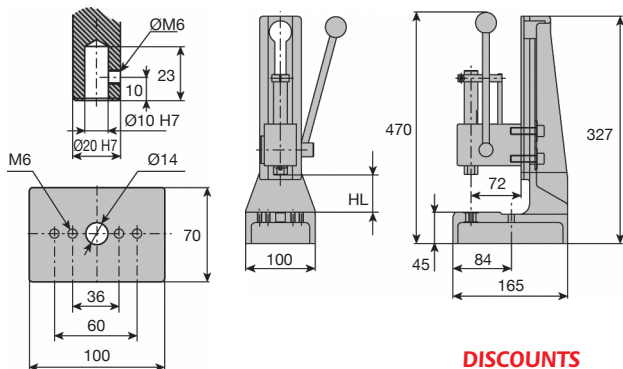
- Rack press
- The force is linear and constant over the full stroke.
- The ram is prevented from turning
- Free height is adjustable
- Stroke adjusts via a screw
- Quick and easy to install

Applications

- This model is particularly robust and is frequently used for the assembly of parts, simple bending tasks and various fastening operations

Option

- None available



DISCOUNTS

Qty	1+	2+
Disc.	List	On request

Part number	Force (kg)	Free height HL (mm)	Stroke (mm)	Goose neck depth (mm)	Weight (kg)	Stock*	Price each
PRES-2HR	200	54 - 200	50	72	8	✓	453,57 €

*Subject to available stock - Dimensions in mm

HPC

WEB
04/2020

www.hpceurope.com

Tél: 0 825 88 5000 Service 0,15 €/min + prix appel

Our other products



CHAC4040SS

Square hinge with riveted pin, drilled, Square with riveted pin, dri...



BPTR

End cap for round tube, Standard



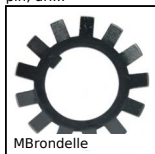
PDD

Actuating plunger, Non-rotating detector shaft



FBL6000_K1

Brush strip per meter PA6 fibres Ø0.2 to Ø0.3, Black polyamide 6-...



MBrondele

Stop washer, Stop washer MB



NDS20

Double cross clamp, Crossed



BHC

Socket head button screw, Stainless steel A2



RPCtcss

Swivel castor with central hole, Stainless steel - Polyamide



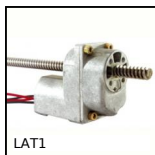
PSEC

Security pull handle, Thermoplastic



INS_SS

Self tapping stainless steel insert, Stainless



LAT1

1A motorised linear actuator, 1 ampere



PHT

Pull handle, Up to 250 °C

Complementary products



PRES3HR

Manual workbench press, Force up to 400kg



PRES5HR

Manual workbench press, Force up to 500kg



CDP

Flanged drill bushing, Steel



CDPC

Flanged drill bushing, Steel