

# Manual workbench press



## PRES2HR

## Force up to 200 kg

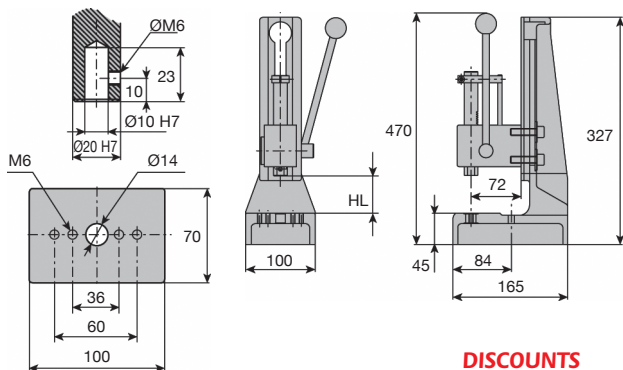
- Rack press
- The force is linear and constant over the full stroke.
- The ram is prevented from turning
- Free height is adjustable
- Stroke adjusts via a screw
- Quick and easy to install

### Applications

- This model is particularly robust and is frequently used for the assembly of parts, simple bending tasks and various fastening operations

### Option

- None available



### DISCOUNTS

Qty	1+	2+
Disc.	List	On request

Part number	Force (kg)	Free height HL (mm)	Stroke (mm)	Goose neck depth (mm)	Weight (kg)	Stock*	Price each
PRES-2HR	200	54 - 200	50	72	8	✓	453,57 €

\*Subject to available stock - Dimensions in mm

HPC

WEB  
04/2020

www.hpceurope.com

Tél: 0 825 88 5000 Service 0,15 €/min + prix appel

## Our other products



PRF4545

Standard aluminium profile, 45 x 45 mm



F7-SF-SM

Multifunction display, Right angled mounting bracket



CLG3

Moulded plastic spur gear, Moulded plastic (nylon)



EX

Optional shaft for E-type gear reducers, E Gearboxes single sided ou...



ABL100005

Antistatic brush, Standard



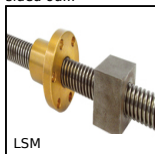
FB\_ECO

Eco. range steel bevel gear, 4:1



LF

Precision locknut, Precision locknut



LSM

Stainless steel 316L leadscrew, Stainless steel - 1 thread



DOMI80

Connecting kits, XZ linking kit



GAC

Lock for latch clamp, Strike plate



VPRA\_M

Handwheel with handle, Thermosetting plastic



CHTRP

Single and dual output gearboxes, Up to 75,7 Nm

## Complementary products



PRES3HR

Manual workbench press, Force up to 400kg



PRES5HR

Manual workbench press, Force up to 500kg



CDP

Flanged drill bushing, Steel



CDPC

Flanged drill bushing, Steel