

# Half-articulated foot Ø65

Stock Acil Inx

## PR65C

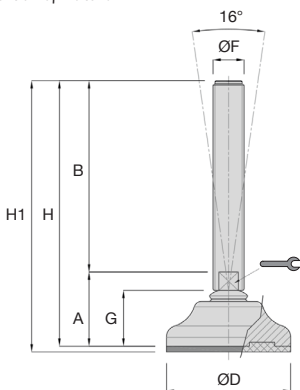
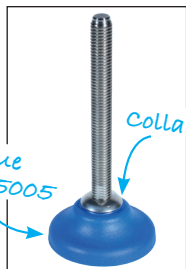
## Maximum load 18000N

### Swivel levelling foot with protective collar

- Up to +/-5° from vertical
- Non slip base in NBR rubber 70 shore
- Base: Blue polyamide (RAL5005) fiber glass reinforced
- Spindle: Stainless steel 304

### Advantages

- Articulated rod allows auto-alignment with the ground
- Sole material ensures flexibility and grip
- The collar at the base of the stem limits (but does not prevent) the retention of material



### DISCOUNTS

Qty	1+	20+	50+
Disc.	List -10%	On request	

Part number	Thread		B	A	A/F	G	H	H1	Static load (N)	Stock*	Price each 1 to 19
	ØD	ØF									
PR65C-12-50/SS	65	M12	50	39	10	29	89	92	13000	-	10,30 €
PR65C-12-100/SS	65	M12	100	39	10	29	139	142	13000	-	11,42 €
PR65C-12-150/SS	65	M12	150	39	10	29	189	192	13000	-	12,99 €
PR65C-16-100/SS	65	M16	100	39	13	29	139	142	18000	-	13,52 €
PR65C-16-150/SS	65	M16	150	39	13	29	189	192	18000	-	16,21 €
PR65C-16-200/SS	65	M16	200	39	13	29	239	242	18000	-	18,03 €
PR65C-20-100/SS	65	M20	100	41	17	29	141	144	18000	-	18,03 €
PR65C-20-150/SS	65	M20	150	41	17	29	191	194	18000	-	21,25 €
PR65C-20-200/SS	65	M20	200	41	17	29	241	244	18000	-	24,44 €
PR65C-20-250/SS	65	M20	250	41	17	29	291	294	18000	-	28,11 €

\*Depending on availability - Dimensions in mm