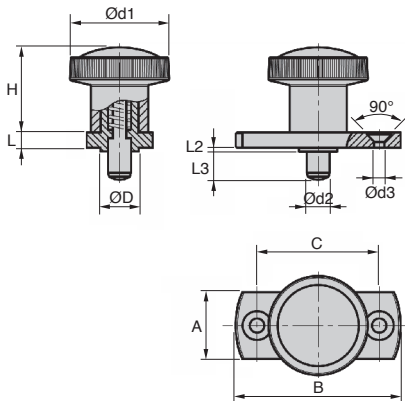


- With or without possibility to lock in open position
- Material:
Polyamide knurled head with matt finish
Flange: Plated steel
Pin: Stainless steel

Info.

- Locking version: pull and turn to lock



DISCOUNTS

Qty	1+	6+	20+
Disc.	List	-10%	On request

Part number	Ød1	Ød2	L	H	L3	ØD	L2	A	B	C	Ød3	Weight (g)	Stock*	Price each 1 to 5
Non-locking														
PPF6-6	26	6	5	23	6	10	2	16	42	30	4,30	40,9	✓	39,04 €
PPF6-14	26	6	5	23	14	10	2	16	42	30	4,30	41,9	✓	39,04 €
PPF8-8	32	8	6	28	8	12	2	20	50	34	5,30	71,4	✓	42,99 €
PPF8-18	32	8	6	28	18	12	2	20	50	34	5,30	74,4	✓	42,99 €
Locking														
PPF6-6/A	26	6	5	23	6	10	2	16	42	30	4,30	40,9	✓	37,51 €
PPF6-14/A	26	6	5	23	14	10	2	16	42	30	4,30	42,9	✓	37,51 €
PPF8-8/A	32	8	6	28	8	12	2	20	50	34	5,30	72,4	-	41,29 €
PPF8-18/A	32	8	6	28	18	12	2	20	50	34	5,30	73,4	✓	41,29 €

*Subject to availability - Dimensions in mm

Our other products



G3

Steel spur gear, Steel 20NCD2



CHAGC-AL

Screw-in garnet hinge, Screw-on



S_ZZ

Deep groove ball bearing, Stainless steel



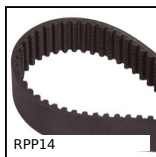
MSP3815

Masterplate® glueable insert rectangular, rectangular with



YG2

HEAVY DUTY spur gear, Steel 35NCD6



RPP14

RPP heavy duty timing belt, RPP14



ACL-PLAngle

Joining plate for aluminium profile, Angle connection



SBF

Sealed flange bearing unit for Food Industry, cover



MDB_MTB

Moulded plastic bevel gear (nylon), 2:1



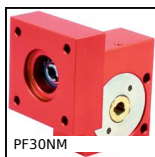
EAR

Bearing locknut, Self locking locknut - nylon



PCS_PA6

Plastic sprocket, 9.525mm (DIN 06B-1)



PF30NM

Worm and wheel gear reducer, up to 8.8 Nm

Complementary products



PPD

Indexing plunger for sheets, For sheet metal



BIMSS

Indexing plunger mini, miniature - Stainless steel



BIM

Indexing plunger mini, miniature