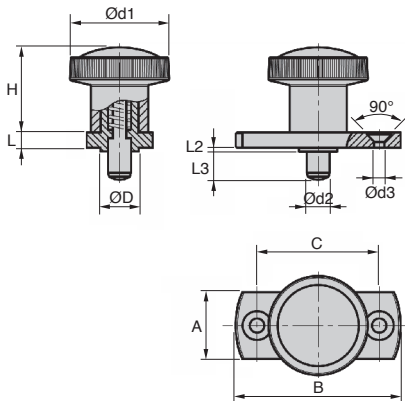


- With or without possibility to lock in open position
- Material:
Polyamide knurled head with matt finish
Flange: Plated steel
Pin: Stainless steel

Info.

- Locking version: pull and turn to lock



DISCOUNTS

Qty	1+	6+	20+
Disc.	List	-10%	On request

Part number	Ød1	Ød2	L	H	L3	ØD	L2	A	B	C	Ød3	Weight (g)	Stock*	Price each 1 to 5
Non-locking														
PPF6-6	26	6	5	23	6	10	2	16	42	30	4,30	40,9	✓	39,04 €
PPF6-14	26	6	5	23	14	10	2	16	42	30	4,30	41,9	✓	39,04 €
PPF8-8	32	8	6	28	8	12	2	20	50	34	5,30	71,4	✓	42,99 €
PPF8-18	32	8	6	28	18	12	2	20	50	34	5,30	74,4	✓	42,99 €
Locking														
PPF6-6/A	26	6	5	23	6	10	2	16	42	30	4,30	40,9	✓	37,51 €
PPF6-14/A	26	6	5	23	14	10	2	16	42	30	4,30	42,9	✓	37,51 €
PPF8-8/A	32	8	6	28	8	12	2	20	50	34	5,30	72,4	-	41,29 €
PPF8-18/A	32	8	6	28	18	12	2	20	50	34	5,30	73,4	✓	41,29 €

*Subject to availability - Dimensions in mm

Our other products



BPPE
Ball transfer unit push fit, Light



MDPOT
Potentiometer,



SLB
Indexing plunger,
steel class 5.8



GE_ET_2RS
Spherical bushing,
Hard chromium /
Teflon contact with
seals



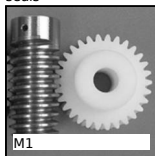
PCS50
Chain sprocket - steel,
12.7mm (DIN08B-1)



PGMSS
Stainless steel pull
handle, Stainless steel



BLHM60
Right angled gearbox,
double output shafts,
up to 70 Nm



M1
Worm and wheel set,
Machined plastic
(delrin)



DB
Steel bevel gear, 2:1



PTRSS
Idler chain sprocket,
For hostile



VB
Small 6 lobe threaded
handle - female,



CHA_GC_9SS
Stainless steel garnet
hinge, To be welded

Complementary products



PPD
Indexing plunger for
sheets, For sheet
metal



BIMSS
Indexing plunger mini,
miniature - Stainless
steel



BIM
Indexing plunger mini,
miniature