

# Solid foot mount for heavy loads

## PML

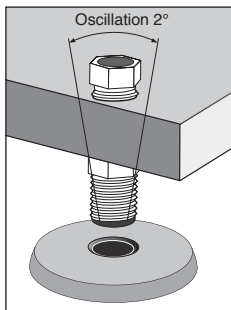
## Max load 90,000 N

- Levelling foot mount for very heavy loads
- Solid foot
- Hollow stem
- Fine thread pitch gives accurate levelling
- Oscillation  $\pm 2^\circ$
- Materials:
  - Base: steel with yellow coated finish
  - Stem: Chromed steel

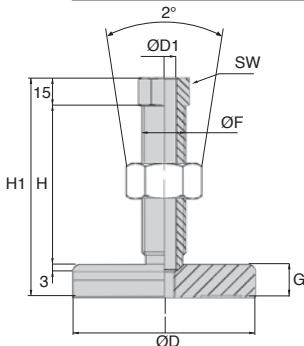


### Applications

- Machine tools, assembly machines, automated lines



Typical application



### DISCOUNTS

Qty	1+	6+	10+	15+
Disc.	List	-5%	-10%	On request

Part number	ØD	ØD1	SW	ØF	G	H	H1	Static load (N)	Price each 1 to 5
PML100-24C-87	100	13	24	M24x2	18	87	120	60000	24,79 €
PML100-24C-141	100	13	24	M24x2	18	141	174	60000	27,38 €
PML120-35C-100	120	22	41	M35x2	25	100	140	90000	68,74 €
PML120-35C-177	120	22	41	M35x2	25	177	217	90000	72,46 €
PML120-36C-100	120	22	41	M36x2	25	100	140	90000	68,74 €
PML150-35C-100	150	22	41	M35x2	25	100	140	90000	76,37 €
PML150-35C-177	150	22	41	M35x2	25	177	217	90000	80,60 €
PML150-36C-100	150	22	41	M36x2	25	100	140	90000	76,37 €

Dimensions in mm

## Our other products



LQT  
Mechanical catch,  
Quick closing catch



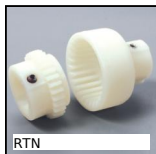
BAG0  
Locking rings in  
stainless steel,  
Stainless steel



MHMEP  
Arm with rotating  
handle, Prebored



AT5M AT10M  
AT type timing belt  
per metre, AT10 Steel  
cored polyurethane



RTN  
BoWex® curved tooth  
gear coupling, Nylon



SDB  
Locking bolt support  
bracket, Mounting  
holes at 90° to  
locating bolt



IN1  
Internal gear, Steel  
20NCD2



CTZYSS  
Stainless steel diabolo  
shaped elasto mount,  
Stainless steel



PX  
Optional output shaft  
stainless steel, P



DB  
Steel bevel gear, 2:1



MSP3815  
Masterplate®  
glueable insert



BCH\_SS  
Mushroom headed  
button, M3 to M8

## Complementary products

threaded...