

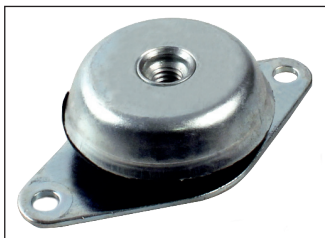
# Rubber machine mount



## PMC

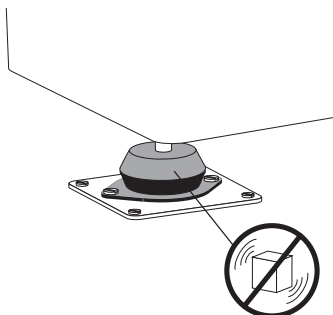
## Oval base plate

- With 2 fixing holes
- Maximum loads are given for a permanent, static vertical load
- Materials:  
Centre: Natural rubber (60 Shore A)  
Support: steel

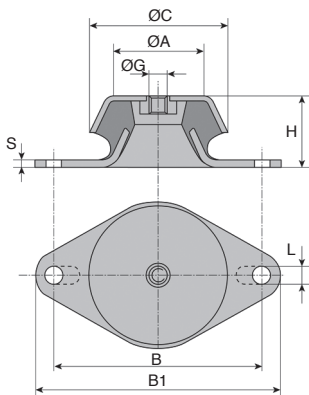


### Uses

- Anti vibration mounting for machines and all types of motors
- Active effective protection for personnel and surroundings from harmful effects of vibrations
- Passive protection of sensitive machines, measuring instruments, equipment and many different types of machines against shocks and vibration.



Anti-vibration



### DISCOUNTS

Qty	1+	6+	10+	20+
Disc.	List	-5%	-10%	On request

Part number	ØC	H	ØA	ØG	S	L	B	B1	Max. load (N)	Stock*	Price each 1 to 5
PMC48-M8	48	23	38,0	M8	1,5	6,2	68	81	1900	✓	12,58 €
PMC62-M10	62	30	50,0	M10	3,0	8,2	85	106	3900	✓	17,85 €
PMC92-M12	92	45	73,5	M12	3,0	10,2	110	128	5800	✓	24,29 €
PMC120-M16	120	50	90,0	M16	5,0	16,2	160	190	11500	-	52,58 €
PMC160-M16	160	60	120,0	M16	3,0	16,2	200	235	23000	-	83,80 €

\*Depending on availability - Dimensions in mm

HPC

WEB  
04/2020

www.hpceurope.com

Tél: 0 825 88 5000 Service 0,15 €/min + prix appel

## Our other products



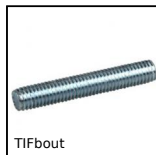
**BTCW**  
Cap for square tube to be welded, To be welded



**VRM**  
Female swivelling lifting rings, Female swivelling



**BABss**  
303 Stainless steel ball pin, 303 Stainless steel



**TIFbout**  
Threaded stud - DIN976A, Steel



**CHA\_GC\_9SS**  
Stainless steel garnet hinge, To be welded



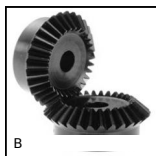
**RBNpl**  
Fixed castor with plate, Steel - rubber



**NT121**  
Spur gear coaxial gearbox, from 20 to 68 Nm - Inline



**CHTRB**  
Single and dual output gearboxes, Up to 16,5 Nm



**B**  
Steel bevel gear, 1:1



**NKIB**  
Combined bearing with inner ring, Axial load in both directions



**RFK48C**  
Hypoid gearbox - Stainless steel, up to 350 Nm



**BABFCFO**  
Ball pin socket, Mounting collar with a oval flange

## Complementary products



**PMC150\_M16**  
Anti-vibration machine mount, Square base plate



**PCF2**  
Conical flexible mount, Oval base plate



**PCF4**  
Conical flexible mount, Square base plate