

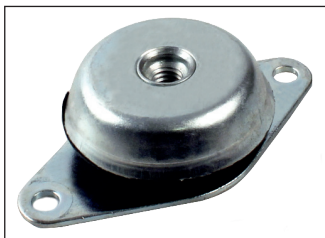
Rubber machine mount



PMC

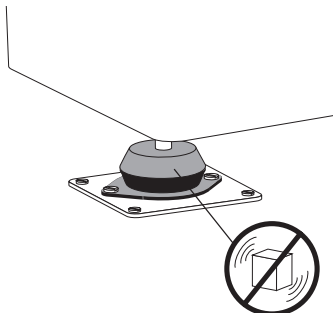
Oval base plate

- With 2 fixing holes
- Maximum loads are given for a permanent, static vertical load
- Materials:
Centre: Natural rubber (60 Shore A)
Support: steel

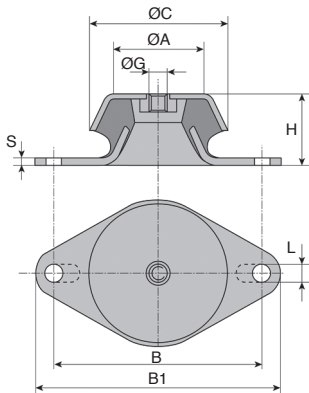


Uses

- Anti vibration mounting for machines and all types of motors
- Active effective protection for personnel and surroundings from harmful effects of vibrations
- Passive protection of sensitive machines, measuring instruments, equipment and many different types of machines against shocks and vibration.



Anti-vibration



DISCOUNTS

Qty	1+	6+	10+	20+
Disc.	List	-5%	-10%	On request

Part number	ØC	H	ØA	ØG	S	L	B	B1	Max. load (N)	Stock*	Price each 1 to 5
PMC48-M8	48	23	38,0	M8	1,5	6,2	68	81	1900	✓	12,58 €
PMC62-M10	62	30	50,0	M10	3,0	8,2	85	106	3900	✓	17,85 €
PMC92-M12	92	45	73,5	M12	3,0	10,2	110	128	5800	✓	24,29 €
PMC120-M16	120	50	90,0	M16	5,0	16,2	160	190	11500	-	52,58 €
PMC160-M16	160	60	120,0	M16	3,0	16,2	200	235	23000	-	83,80 €

*Depending on availability - Dimensions in mm

Our other products



TBD

Manual leadscrew table with opposing threads, 20kg



HCA

Magnetic screw with socket, Steel



PR40

Articulated foot Ø40, Ø 40



PRF JL6

Lip seal for panel, Door seal - Ø 6mm



CHM30-MOT

Asynchronous AC motorgearboxes 0.09 to 0.22kW, 0.09 to 0.22kW



DTR

Chain idler sprocket, Chain idler sprocket - Plastic



TBE16

Economic mini-table with trapezoidal leadscrew, 5kg



HTD8M-BAR

HTD type tooth bar stock, HTD8



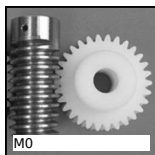
CLQ

12.7mm wide steel feeler strip on rolls,



CNA-CNG

Right angled mounting plate, Right



M0

Worm and wheel set, Machined plastic



CPAS

Stay with safety catch, Opens upward

Complementary products



PMC150_M16

Anti-vibration machine mount, Square base plate



PCF2

Conical flexible mount, Oval base plate



PCF4

Conical flexible mount, Square base plate